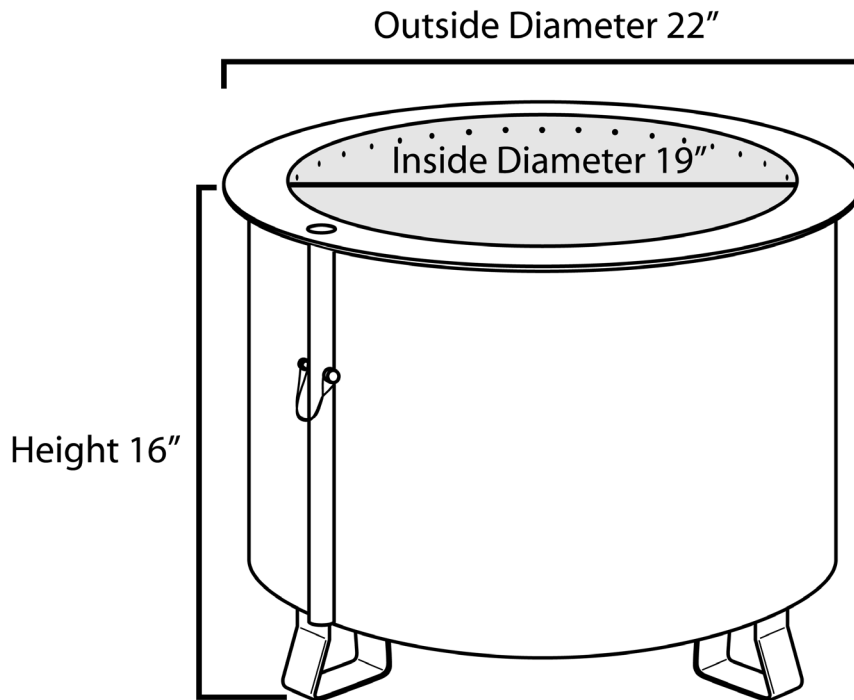


BREEO

DOUBLE FLAME 19" SMOKELESS FIRE PIT SPECIFICATIONS



Material: 304 Stainless Steel

Inside Diameter:	19 in.	Inside Height:	13 in.
Outside Diameter:	22 in.	Total Height:	16 in.
Flange Width:	2.5 in.		

Weight: 48 lbs.

Double Flame 19" Smokeless Fire Pit
SKU: DF-19SLFP-SS

All Breeo Smokeless Fire Pits have been handcrafted in the USA.