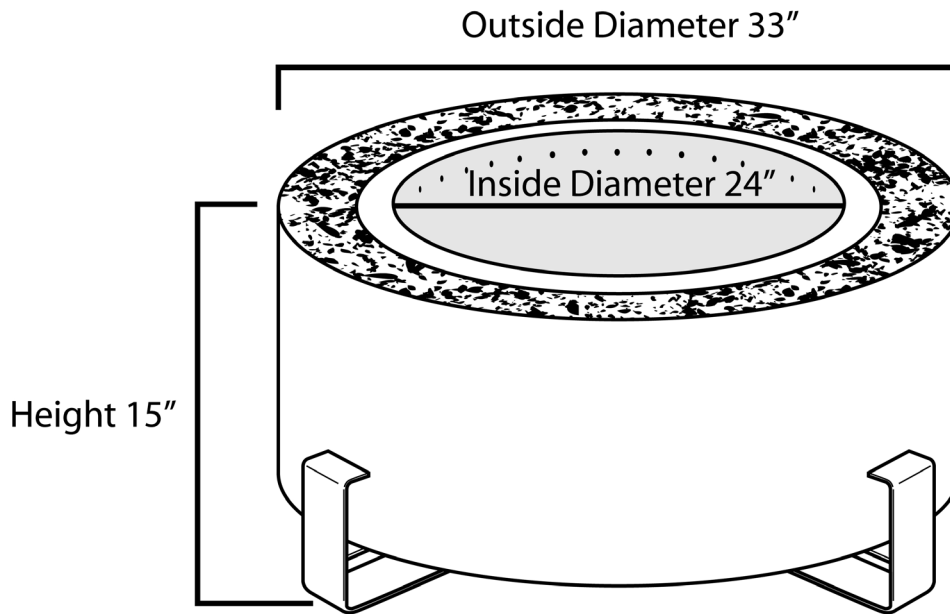


BREEO

LUXEVE 24" SMOKELESS FIRE PIT SPECIFICATIONS



Material: 304 Stainless Steel

Inside Diameter:	24 in.	Outside Diameter:	33 in.
Outer Ring Diameter	33 in.	Total Outside Diameter	
Inside Height:	12 in.	(Including legs):	36 in.
Total Height:	15 in.		

Weight (With Glass): 135.5 lbs.
Weight (without Glass): 122.5 lbs.

Luxeve 24" Fire Pit
SKU: LU-24SLFP-(BV, ER, RR, SV, WR, SS)

All Breeo Smokeless Fire Pits have been handcrafted in the USA.