

WARMING TRENDS[®]

SUPERIOR FIRE FEATURE SYSTEMS



PATENTED

www.warming-trends.com/patents

WARMING TRENDS®

Superior Design. Superior Performance.
Superior Fire Feature Systems.



Standard Ring Burner with 180K BTU's

Don't settle for less.



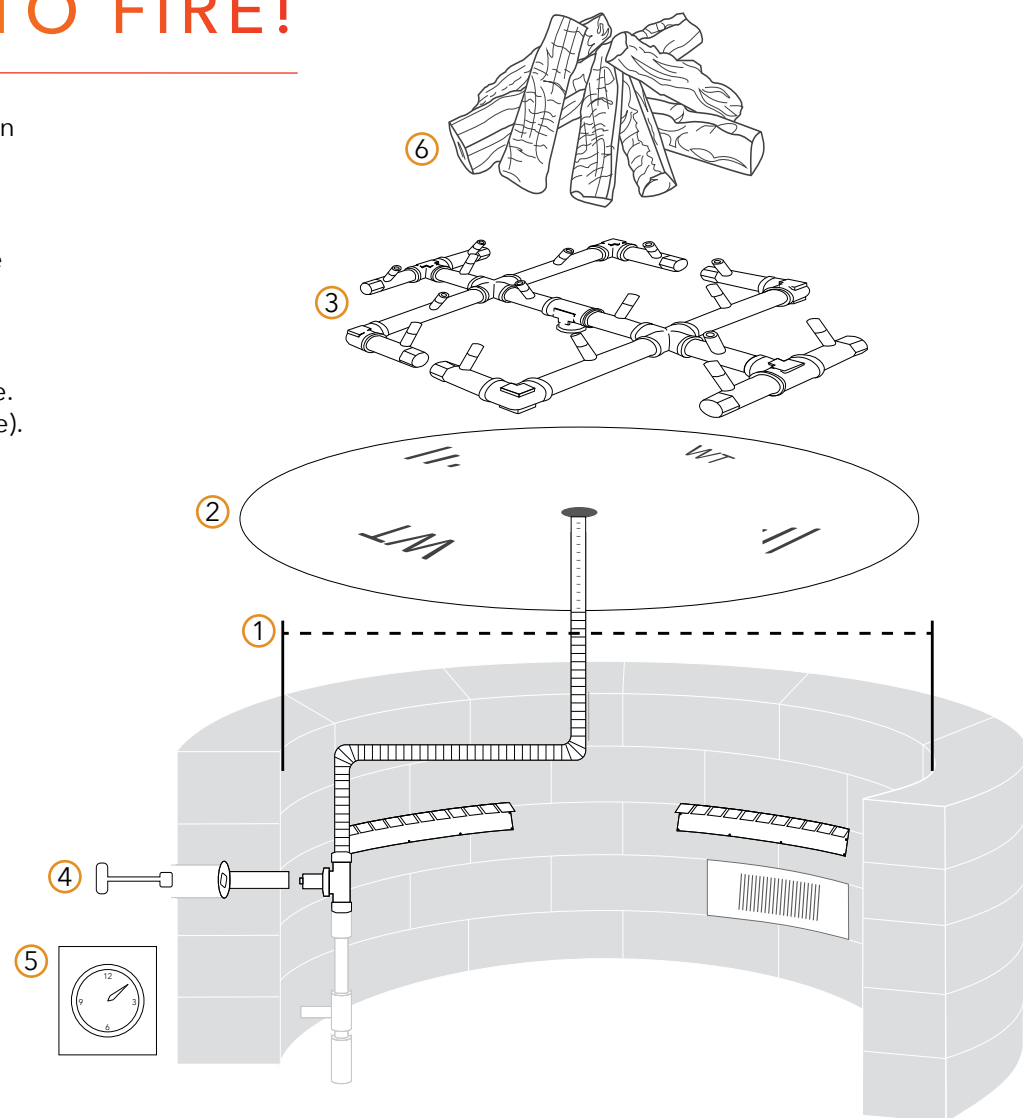
CFB180 CROSSFIRE® Brass Burner with
180k BTU's

The patented CROSSFIRE® Brass Burner is the most fuel efficient burner in the industry,
producing beautiful, tall, bright flames all while consuming less gas.

100% Brass. Lifetime Warranty. Made in the United States.

SIX STEPS TO FIRE!

- ① Measure the interior dimension of your fire pit.
- ② Choose the corresponding Plate or Pan size. (Pans include a 2" welded sidewall).
- ③ Select Burner based on appropriate size and Fuel Type. (Natural Gas or Liquid Propane).
- ④ Choose the Ignition System: match lit, push button, or on/off switch.
- ⑤ Add Optional Electronic Accessories: remote control options, dial timers, and emergency stop buttons.
- ⑥ Complete the fire pit with Accessories: steel or ceramic logs, lava rock, or fire glass.



BURNER MATCH FOR COMMON INTERIOR DIMENSIONS

Choose a burner based on the inside dimension of your enclosure - the fire pit plate or pan should be 6" larger than the burner to provide at least 3" between the edge of the burner and the inside edge of the fire feature.

INTERIOR DIMENSION	CIRCLE	SQUARE
24"	CFB120	CFB120
	CFBO180	CFBO180
30"	CFB180	CFB180
	CFB240	CFB240
	CFBO280	CFBO280
36"	CFB240	CFB240
	CFB290	CFB290
	CFBO280	CFBO280
42"	CFBO360	CFBO360

TABLE OF CONTENTS

Options for Circular Openings	6
Options for Square Openings	14
Options for Rectangular Openings	21
Plates and Pans	30
Ready-to-Finish Kits	33
Universal Paver Kits	38
Ignitions, Accessories, & Media	42
Warranty	47



877 556 5255

orders@warming-trends.com

www.Warming-Trends.com



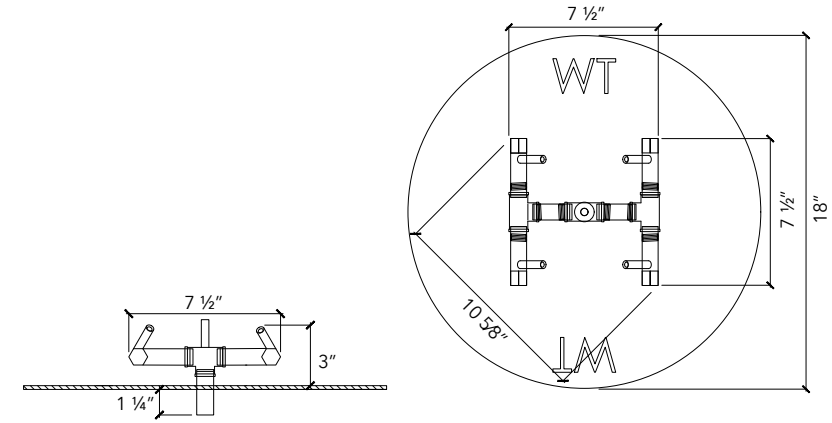
OPTIONS FOR CIRCULAR OPENINGS

Designed for standard sized circular fire features, these CROSSFIRE® Brass Burners range from 60K to 450K BTUs.

Need a different size or shape? We're happy to help. Call our Flame Consultants at 877 556 5255



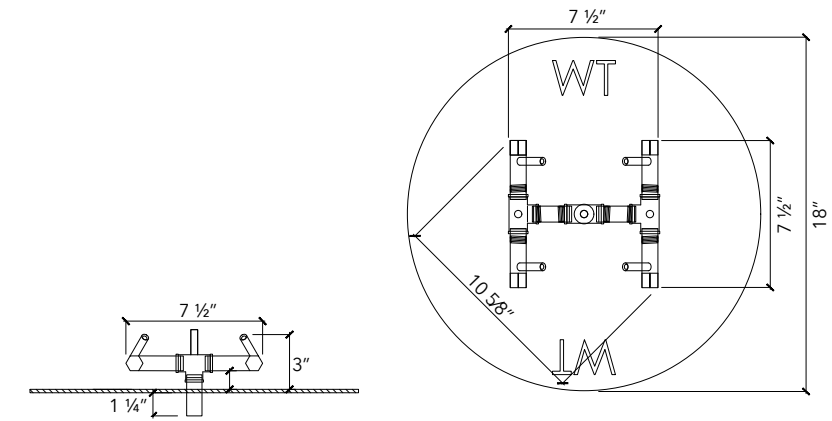
ORIGINAL CFB60 For 18" opening or larger



SKU (NG OR LP)	DESCRIPTION	SHIP WEIGHT	SHIP DIMENSIONS
CFB60NG CFB60LP	60K BTU Original Brass Burner	4 lbs	11" x 11" x 5"
Recommended parts: Plate: ALPL18C (circle) • Flex Line Kit: FLKV12 • Optional 3x Support Collars			
CFB60NGALPL18C CFB60LPALPL18C	with 18" Circular Plate	9 lbs	19" x 19" x 7"
CFB60NGALPL18CFLKV12 CFB60LPALPL18CFLKV12	with 18" Circular Plate + 1/2" Flex Line Kit	13 lbs	19" x 19" x 7"
Compatible Ignition Systems: Push Button, 3 Volt, 24 Volt Spark Ignition, 24 Volt Hot Surface Ignition (SC)			

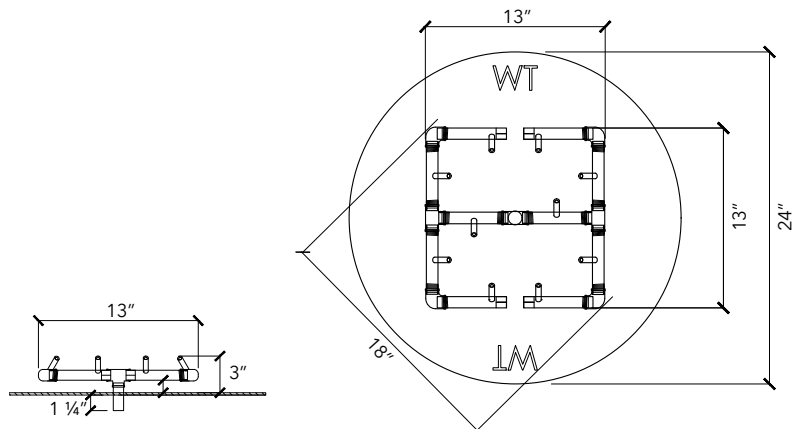


ORIGINAL CFB84 For 18" opening or larger



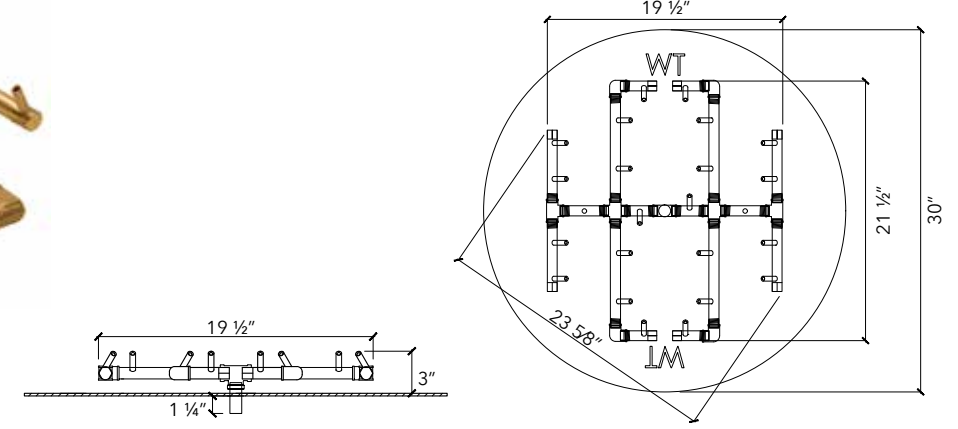
SKU (NG OR LP)	DESCRIPTION	SHIP WEIGHT	SHIP DIMENSIONS
CFB84NG CFB84LP	84K BTU Original Brass Burner	4 lbs	11" x 11" x 5"
Recommended parts: Plate: ALPL18C (circle) • Flex Line Kit: FLKV12 • Optional 3x Support Collars			
CFB84NGALPL18C CFB84LPALPL18C	with 18" Circular Plate	9 lbs	19" x 19" x 7"
CFB84NGALPL18CFLKV12 CFB84LPALPL18CFLKV12	with 18" Circular Plate + 1/2" Flex Line Kit	13 lbs	19" x 19" x 7"
Compatible Ignition Systems: Push Button, 3 Volt, 24 Volt Spark Ignition, 24 Volt Hot Surface Ignition (SC)			

SKU BREAKDOWN CFB O 360 NG ALPL 30 C DFLKV 34 FIT 300
 CROSSFIRE Brass Burner Octagonal BTU Gas Plate Size of Shape Flex Line, Key
 (Burner Type) Type Type or Pan Plate of Plate Valve & Fit Kit



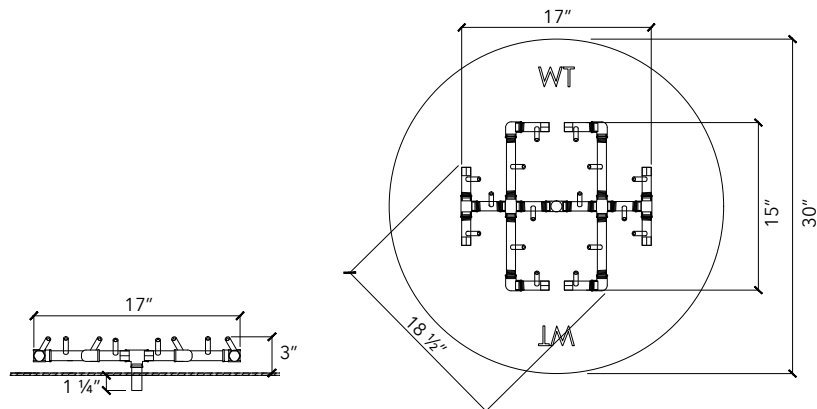
ORIGINAL CFB120
For 24" opening or larger

SKU (NG OR LP)	DESCRIPTION	SHIP WEIGHT	SHIP DIMENSIONS
CFB120NG CFB120LP	120K BTU Original Brass Burner	8 lbs	15" x 15" x 5"
Recommended parts: Plate: ALPL24C (circle) • Flex Line Kit: FLKV12 • Optional 4x Support Collars			
CFB120NGALPL24C CFB120LPALPL24C	with 24" Circular Plate	15 lbs	25" x 25" x 7"
CFB120NGALPL24CFLKV12 CFB120LPALPL24CFLKV12	with 24" Circular Plate + 1/2" Flex Line Kit	19 lbs	25" x 25" x 7"
Compatible Ignition Systems: Push Button, 3 Volt, 24 Volt Spark Ignition, 24 Volt Hot Surface Ignition (SC)			



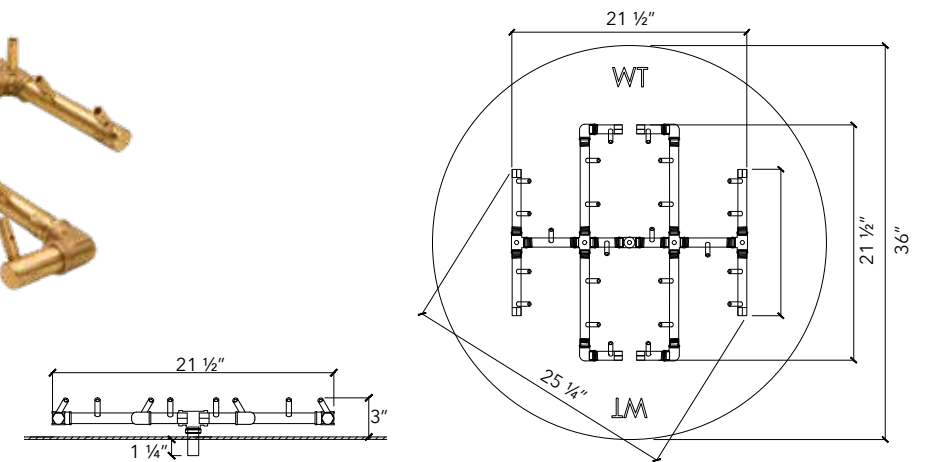
ORIGINAL CFB240
For 30" opening or larger

SKU (NG OR LP)	DESCRIPTION	SHIP WEIGHT	SHIP DIMENSIONS
CFB240NG CFB240LP	240K BTU Original Brass Burner	12 lbs	23" x 23" x 7"
Recommended parts: Plate: ALPL30C (circle) • Flex Line Kit: FLKV34FIT180 • Optional 5x Support Collars			
CFB240NGALPL30C CFB240LPALPL30C	with 30" Circular Plate	26 lbs	31" x 31" x 7"
CFB240NGALPL30CFLKV34FIT180 CFB240LPALPL30CFLKV34FIT180	with 30" Circular Plate + 3/4" Flex Line Kit + FIT180	32 lbs	31" x 31" x 7"
Compatible Ignition Systems: Push Button, 24 Volt Spark Ignition, 24 Volt Hot Surface Ignition (SC)			



ORIGINAL CFB180
For 30" opening or larger

SKU (NG OR LP)	DESCRIPTION	SHIP WEIGHT	SHIP DIMENSIONS
CFB180NG CFB180LP	180K BTU Original Brass Burner	9 lbs	19" x 19" x 7"
Recommended parts: Plate: ALPL30C (circle) • Flex Line Kit: FLKV34FIT180 • Optional 5x Support Collars			
CFB180NGALPL30C CFB180LPALPL30C	with 30" Circular Plate	21 lbs	31" x 31" x 7"
CFB180NGALPL30CFLKV34FIT180 CFB180LPALPL30CFLKV34FIT180	with 30" Circular Plate + 3/4" Flex Line Kit + FIT180	25 lbs	31" x 31" x 7"
Compatible Ignition Systems: Push Button, 24 Volt Spark Ignition, 24 Volt Hot Surface Ignition (SC)			



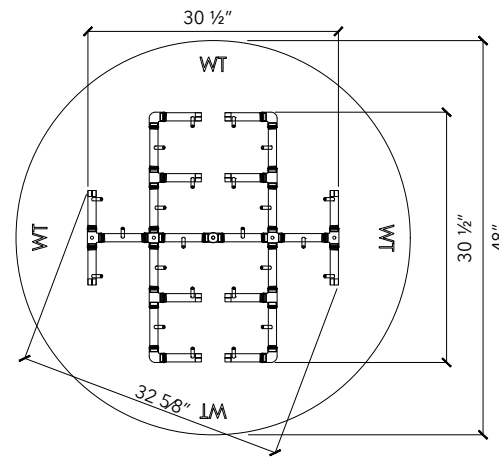
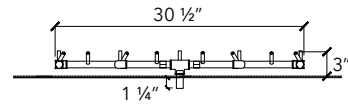
ORIGINAL CFB290
For 36" opening or larger

SKU (NG OR LP)	DESCRIPTION	SHIP WEIGHT	SHIP DIMENSIONS
CFB290NG CFB290LP	290K BTU Original Brass Burner	12 lbs	23" x 23" x 7"
Recommended parts: Plate: ALPL18C (circle) • Flex Line Kit: FLKV34FIT250 • Optional 6x Support Collars			
CFB290NGALPL36C CFB290LPALPL36C	with 36" Circular Plate	30 lbs	37" x 37" x 9"
CFB290NGALPL36CFLKV34FIT250 CFB290LPALPL36CFLKV34FIT250	with 36" Circular Plate + 3/4" Flex Line Kit + FIT250	36 lbs	37" x 37" x 9"
Compatible Ignition Systems: Push Button, 24 Volt Spark Ignition, 24 Volt Hot Surface Ignition (SC)			

PAN AND PLATES AVAILABLE ON PAGE 30

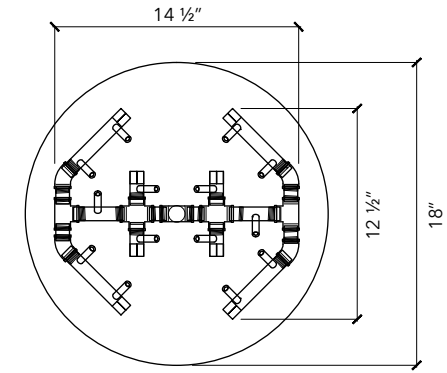
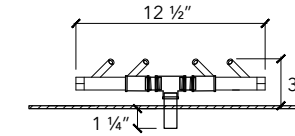
SKU BREAKDOWN **CFB O 360 NG ALPL 30 C DFLKV 34 FIT 300**

CROSSFIRE Brass Burner (Burner Type) Octagonal BTU Gas Type Plate Size of Plate Shape of Plate Flex Line, Key Valve & Fit Kit



ORIGINAL CFB350
For 48" opening or larger

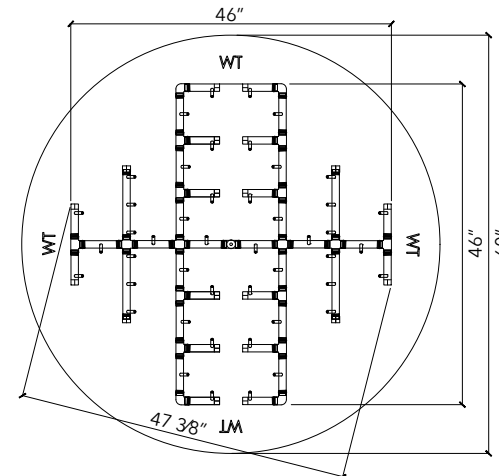
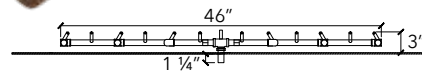
SKU (NG OR LP)	DESCRIPTION	SHIP WEIGHT	SHIP DIMENSIONS
CFB350NG CFB350LP	350K BTU Original Brass Burner	23 lbs	33" x 33" x 9"
Recommended parts: Plate: ALPL48C (circle) • Flex Line Kit: DFLKV34FIT300 • Optional 8x Support Collars			
CFB350NGALPL48C CFB350LPALPL48C	with 48" Circular Plate	SHIPS FREIGHT	
CFB350NGALPL48CDFLKV34FIT300 CFB350LPALPL48CDFLKV34FIT300	with 48" Circular Plate + 3/4" Dual Flex Line Kit + FIT300	SHIPS FREIGHT	
Compatible Ignition Systems: 24 Volt Spark Ignition, 24 Volt Hot Surface Ignition (HC)			



OCTAGONAL CFBO140
For 18" opening or larger

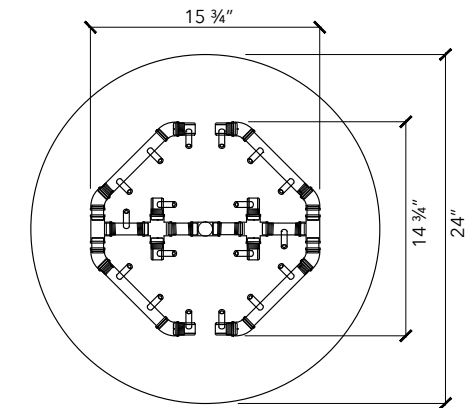
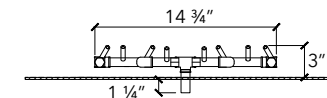
SKU (NG OR LP)	DESCRIPTION	SHIP WEIGHT	SHIP DIMENSIONS
CFBO140NG CFBO140LP	140K BTU Octagonal Brass Burner	9 lbs	19" x 15" x 5"
Recommended parts: Plate: ALPL18C (circle) • Flex Line Kit: FLKV34FIT180 • Optional 3x Support Collars			
CFBO140NGALPL18C CFBO140LPALPL18C	with 18" Circular Plate	13 lbs	19" x 19" x 7"
CFBO140NGALPL18CDFLKV34FIT180 CFBO140LPALPL18CDFLKV34FIT180	with 18" Circular Plate + 3/4" Flex Line Kit + FIT180	18 lbs	19" x 19" x 7"
Compatible Ignition Systems: Push Button, 24 Volt Spark Ignition, 24 Volt Hot Surface Ignition (SC)			

Images for reference only. Drawings provided within 1" of variance of burner measurements.



ORIGINAL CFB450
For 60" opening or larger

SKU (NG OR LP)	DESCRIPTION	SHIP WEIGHT	SHIP DIMENSIONS
CFB450NG CFB450LP	450K BTU Original Brass Burner	SHIPS FREIGHT	
Recommended parts: Plate: ALPL60C (circle) • Flex Line Kit: DFLKV34FIT300 • Optional 10x Support Collars			
CFB450NGALPL60C CFB450LPALPL60C	with 60" Circular Plate	SHIPS FREIGHT	
CFB450NGALPL60CDFLKV34FIT300 CFB450LPALPL60CDFLKV34FIT300	with 60" Circular Plate + 3/4" Dual Flex Line Kit + FIT300	SHIPS FREIGHT	
Compatible Ignition Systems: 24 Volt Spark Ignition, 24 Volt Hot Surface Ignition (HC)			



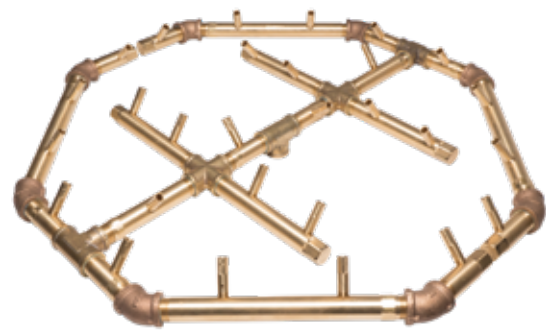
OCTAGONAL CFBO180
For 24" opening or larger

SKU (NG OR LP)	DESCRIPTION	SHIP WEIGHT	SHIP DIMENSIONS
CFBO180NG CFBO180LP	180K BTU Octagonal Brass Burner	10 lbs	19" x 15" x 5"
Recommended parts: Plate: ALPL24C (circle) • Flex Line Kit: FLKV34FIT180 • Optional 4x Support Collars			
CFBO180NGALPL24C CFBO180LPALPL24C	with 24" Circular Plate	16 lbs	25" x 25" x 7"
CFBO180NGALPL24CDFLKV34FIT180 CFBO180LPALPL24CDFLKV34FIT180	with 24" Circular Plate + 3/4" Flex Line Kit + FIT180	21 lbs	25" x 25" x 7"
Compatible Ignition Systems: Push Button, 24 Volt Spark Ignition, 24 Volt Hot Surface Ignition (SC)			

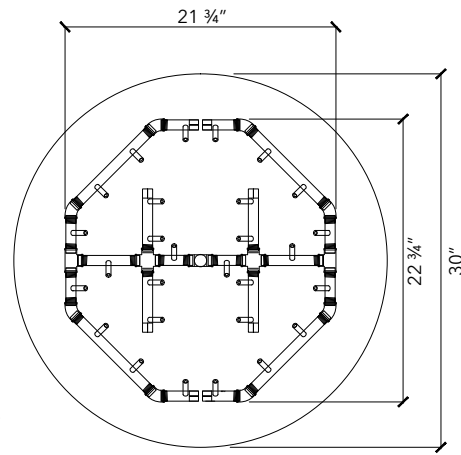
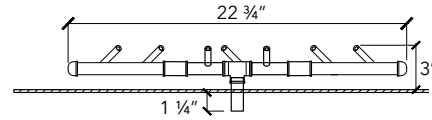
Images for reference only. Drawings provided within 1" of variance of burner measurements.

LIGHT IT UP! IGNITION SYSTEMS START ON PAGE 43

SKU BREAKDOWN **CFBO360NGALPL30CDFLKV34FIT300**
 CROSSFIRE Brass Burner Octagonal BTU Gas Plate Size of Shape Flex Line, Key
 (Burner Type) Type or Pan Plate of Plate Valve & Fit Kit

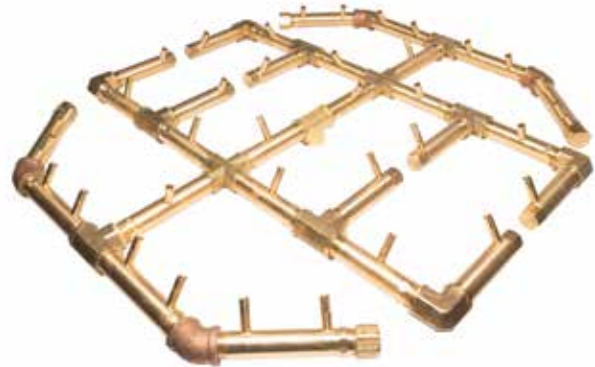


OCTAGONAL CFBO280
For 30" opening or larger

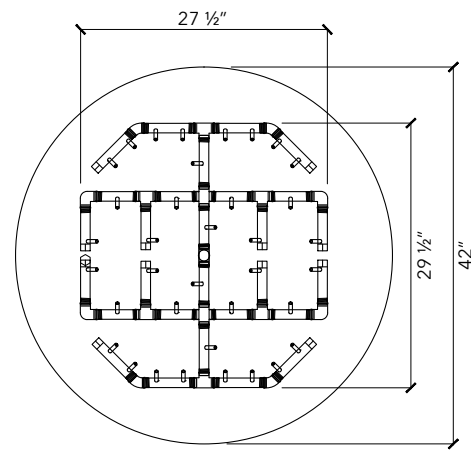
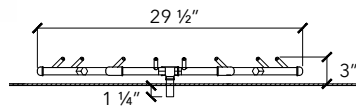


SKU (NG OR LP)	DESCRIPTION	SHIP WEIGHT	SHIP DIMENSIONS
CFBO280NG CFBO280LP	280K BTU Octagonal Brass Burner	13 lbs	25" x 25" x 7"
Recommended parts: Plate: ALPL30C (circle) • Flex Line Kit: DFLKV34FIT250 • Optional 5x Support Collars			
CFBO280NGALPL30C CFBO280LPALPL30C	with 30" Circular Plate	36 lbs	31" x 31" x 7"
CFBO280NGALPL30CDFLKV34FIT250 CFBO280LPALPL30CDFLKV34FIT250	with 30" Circular Plate + 3/4" Dual Flex Line Kit + FIT250	44 lbs	31" x 31" x 7"
Compatible Ignition Systems: 24 Volt Spark Ignition, 24 Volt Hot Surface Ignition (HC)			

Images for reference only. Drawings provided within 1" of variance of burner measurements.



OCTAGONAL CFBO360
For 42" opening or larger



SKU (NG OR LP)	DESCRIPTION	SHIP WEIGHT	SHIP DIMENSIONS
CFB360NG CFB360LP	360K BTU Octagonal Brass Burner	22 lbs	31" x 31" x 7"
Recommended parts: Plate: ALPL42C (circle) • Flex Line Kit: DFLKV34FIT300 • Optional 7x Support Collars			
CFB360NGALPL42C CFB360LPALPL42C	with 42" Circular Plate		SHIPS FREIGHT
CFB360NGALPL42CDFLKV34FIT300 CFB360LPALPL42CDFLKV34FIT300	with 42" Circular Plate + 3/4" Dual Flex Line Kit + FIT300		SHIPS FREIGHT
Compatible Ignition Systems: 24 Volt Spark Ignition, 24 Volt Hot Surface Ignition (HC)			

Images for reference only. Drawings provided within 1" of variance of burner measurements.

COMPLETE THE FEATURE WITH MEDIA, PAGE 45

Looking for something unique?
In addition to standard products,
Warming Trends works with customers
every day to design and manufacture
truly custom fire features.
What can we design for you?



Call us today. We'd love to help. 877 556 5255



Photo credit: Homestyle Landscaping

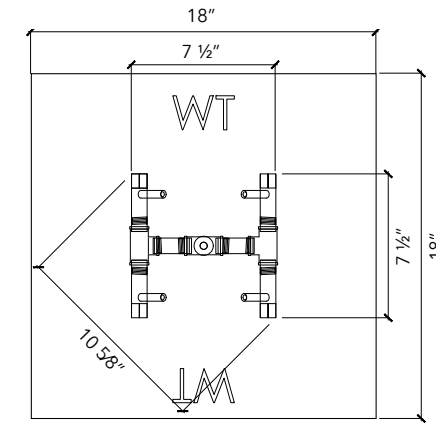
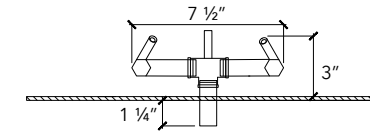
OPTIONS FOR SQUARE OPENINGS

Designed for standard sized square fire features, these CROSSFIRE® Brass Burners range from 60K to 450K BTUs.

Need a different size or shape? We're happy to help. Call our Flame Consultants at 877 556 5255



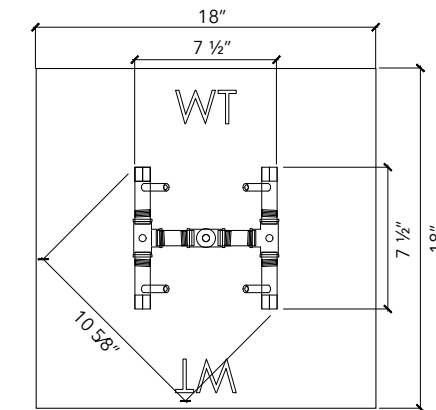
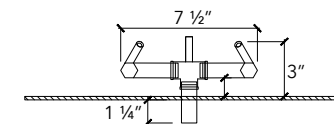
ORIGINAL CFB60 For 18" opening or larger



SKU (NG OR LP)	DESCRIPTION	SHIP WEIGHT	SHIP DIMENSIONS
CFB60NG CFB60LP	60K BTU Original Brass Burner	4 lbs	11" x 11" x 5"
Recommended parts: Plate: ALPL18S (square) • Flex Line Kit: FLKV12 • Optional 3x Support Collars			
CFB60NGALPL18S CFB60LPALPL18S	with 18" Square Plate	10 lbs	20" x 20" x 6"
CFB60NGALPL18SFLKV12 CFB60LPALPL18SFLKV12	with 18" Square Plate + 1/2" Flex Line Kit	14 lbs	20" x 20" x 6"
Compatible Ignition Systems: Push Button, 3 Volt, 24 Volt Spark Ignition, 24 Volt Hot Surface Ignition (SC)			

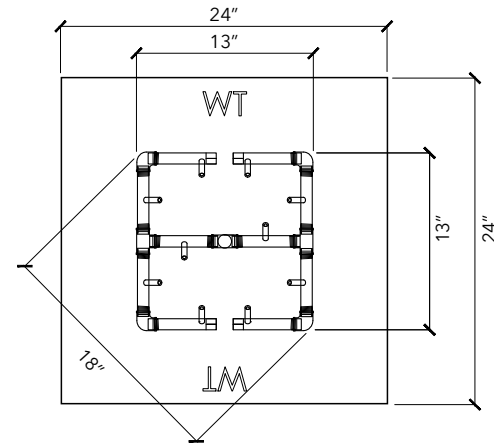
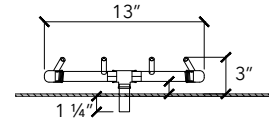


ORIGINAL CFB84 For 18" opening or larger



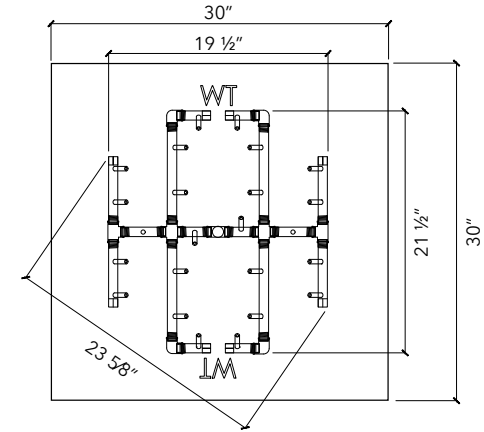
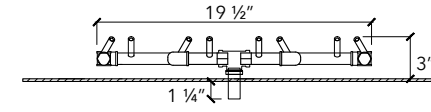
SKU (NG OR LP)	DESCRIPTION	SHIP WEIGHT	SHIP DIMENSIONS
CFB84NG CFB84LP	84K BTU Original Brass Burner	4 lbs	11" x 11" x 5"
Recommended parts: Plate: ALPL18S (square) • Flex Line Kit: FLKV12 • Optional 3x Support Collars			
CFB84NGALPL18S CFB84LPALPL18S	with 18" Square Plate	10 lbs	21" x 21" x 7"
CFB84NGALPL18SFLKV12 CFB84LPALPL18SFLKV12	with 18" Square Plate + 1/2" Flex Line Kit	14 lbs	21" x 21" x 7"
Compatible Ignition Systems: Push Button, 3 Volt, 24 Volt Spark Ignition, 24 Volt Hot Surface Ignition (SC)			

SKU BREAKDOWN CFB O 360 NG ALPL 30 C DFLKV 34 FIT 300
 CROSSFIRE Brass Burner Octagonal BTU Gas Plate Size of Shape Flex Line, Key
 (Burner Type) Type or Pan Plate of Plate Valve & Fit Kit



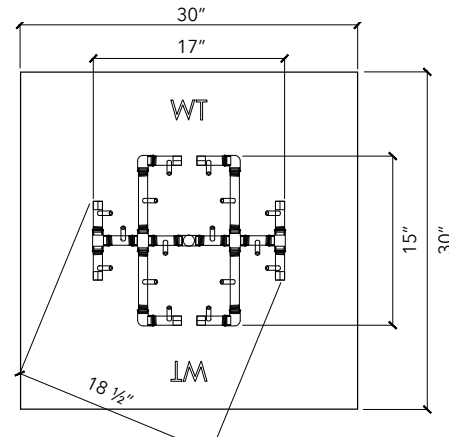
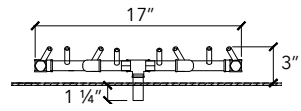
ORIGINAL CFB120
For 24" opening or larger

SKU (NG OR LP)	DESCRIPTION	SHIP WEIGHT	SHIP DIMENSIONS
CFB120NG CFB120LP	120K BTU Original Brass Burner	8 lbs	15" x 15" x 5"
Recommended parts: Plate: ALPL24S (square) • Flex Line Kit: FLKV12 • Optional 4x Support Collars			
CFB120NGALPL24S CFB120LPALPL24S	with 24" Square Plate	17 lbs	26" x 26" x 6"
CFB120NGALPL24SFLKV12 CFB120LPALPL24SFLKV12	with 24" Square Plate + 1/2" Flex Line Kit	21 lbs	26" x 26" x 6"
Compatible Ignition Systems: Push Button, 3 Volt, 24 Volt Spark Ignition, 24 Volt Hot Surface Ignition (SC)			



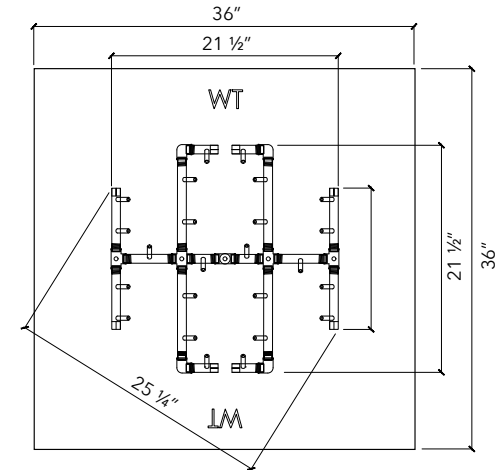
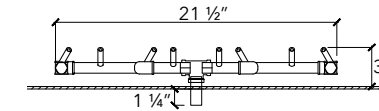
ORIGINAL CFB240
For 30" opening or larger

SKU (NG OR LP)	DESCRIPTION	SHIP WEIGHT	SHIP DIMENSIONS
CFB240NG CFB240LP	240K BTU Original Brass Burner	12 lbs	23" x 23" x 7"
Recommended parts: Plate: ALPL30S (square) • Flex Line Kit: FLKV34FIT180 • Optional 5x Support Collars			
CFB240NGALPL30S CFB240LPALPL30S	with 30" Square Plate	28 lbs	33" x 33" x 9"
CFB240NGALPL30SFLKV34FIT180 CFB240LPALPL30SFLKV34FIT180	with 30" Square Plate + 3/4" Flex Line Kit + FIT180	33 lbs	33" x 33" x 9"
Compatible Ignition Systems: Push Button, 24 Volt Spark Ignition, 24 Volt Hot Surface Ignition (SC)			



ORIGINAL CFB180
For 30" opening or larger

SKU (NG OR LP)	DESCRIPTION	SHIP WEIGHT	SHIP DIMENSIONS
CFB180NG CFB180LP	180K BTU Original Brass Burner	9 lbs	19" x 19" x 7"
Recommended parts: Plate: ALPL30S (square) • Flex Line Kit: FLKV34FIT180 • Optional 5x Support Collars			
CFB180NGALPL30S CFB180LPALPL30S	with 30" Square Plate	24 lbs	33" x 33" x 9"
CFB180NGALPL30SFLKV34FIT180 CFB180LPALPL30SFLKV34FIT180	with 30" Square Plate + 3/4" Flex Line Kit + FIT180	28 lbs	33" x 33" x 9"
Compatible Ignition Systems: Push Button, 24 Volt Spark Ignition, 24 Volt Hot Surface Ignition (SC)			



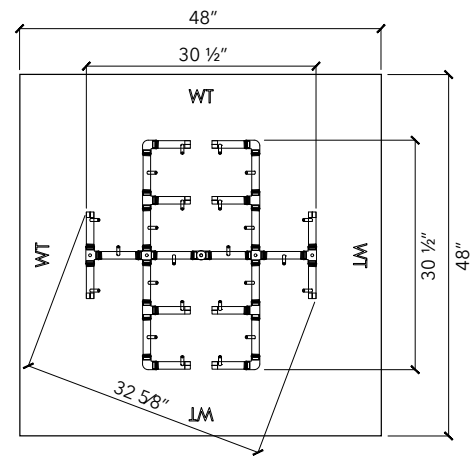
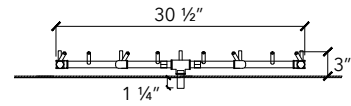
ORIGINAL CFB290
For 36" opening or larger

SKU (NG OR LP)	DESCRIPTION	SHIP WEIGHT	SHIP DIMENSIONS
CFB290NG CFB290LP	290K BTU Original Brass Burner	12 lbs	23" x 23" x 7"
Recommended parts: Plate: ALPL18S (square) • Flex Line Kit: FLKV34FIT250 • Optional 6x Support Collars			
CFB290NGALPL36S CFB290LPALPL36S	with 36" Square Plate	40 lbs	38" x 38" x 7"
CFB290NGALPL36SFLKV34FIT250 CFB290LPALPL36SFLKV34FIT250	with 36" Square Plate + 3/4" Flex Line Kit + FIT250	44 lbs	38" x 38" x 7"
Compatible Ignition Systems: Push Button, 24 Volt Spark Ignition, 24 Volt Hot Surface Ignition (SC)			

COMPLETE THE FEATURE WITH MEDIA, PAGE 45

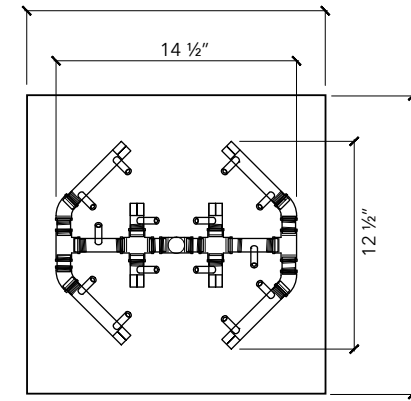
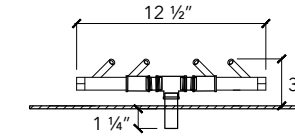
SKU BREAKDOWN **CFB O 360 NG ALPL 30 C D FLKV 34 FIT 300**

CROSSFIRE Brass Burner Octagonal BTU Gas Plate Size of Shape Flex Line, Key
(Burner Type) Type or Pan Plate of Plate Valve & Fit Kit



ORIGINAL CFB350
For 48" opening or larger

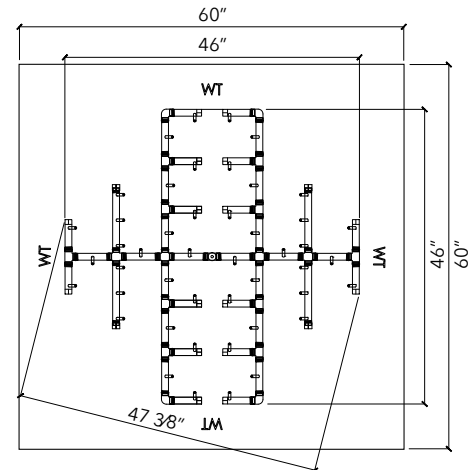
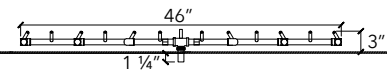
SKU (NG OR LP)	DESCRIPTION	SHIP WEIGHT	SHIP DIMENSIONS
CFB350NG CFB350LP	350K BTU Original Brass Burner	23 lbs	33" x 33" x 9"
Recommended parts: Plate: ALPL48S (square) • Flex Line Kit: DFLKV34FIT300 • Optional 8x Support Collars			
CFB350NGALPL48S CFB350LPALPL48S	with 48" Square Plate		SHIPS FREIGHT
CFB350NGALPL48SDFLKV34FIT300 CFB350LPALPL48SDFLKV34FIT300	with 48" Square Plate + 3/4" Dual Flex Line Kit + FIT300		SHIPS FREIGHT
Compatible Ignition Systems: 24 Volt Spark Ignition, 24 Volt Hot Surface Ignition (HC)			



OCTAGONAL CFBO140
For 18" opening or larger

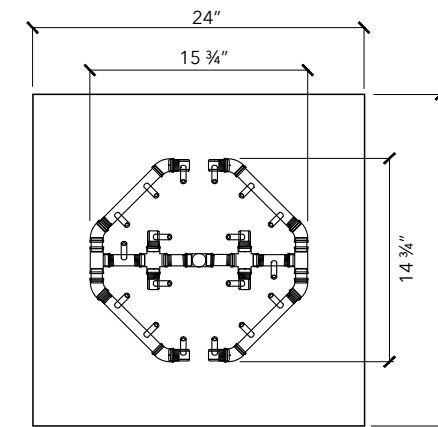
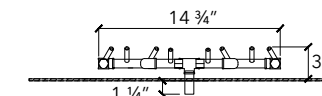
SKU (NG OR LP)	DESCRIPTION	SHIP WEIGHT	SHIP DIMENSIONS
CFBO140NG CFBO140LP	140K BTU Octagonal Brass Burner	9 lbs	19" x 15" x 5"
Recommended parts: Plate: ALPL18S (square) • Flex Line Kit: FLKV34FIT180 • Optional 3x Support Collars			
CFBO140NGALPL18S CFBO140LPALPL18S	with 18" Square Plate	16 lbs	20" x 20" x 6"
CFBO140NGALPL18SFLKV34FIT180 CFBO140LPALPL18SFLKV34FIT180	with 18" Square Plate + 3/4" Flex Line Kit+ FIT180	21 lbs	20" x 20" x 6"
Compatible Ignition Systems: Push Button, 24 Volt Spark Ignition, 24 Volt Hot Surface Ignition (SC)			

Images for reference only. Drawings provided within 1" of variance of burner measurements.



ORIGINAL CFB450
For 60" opening or larger

SKU (NG OR LP)	DESCRIPTION	SHIP WEIGHT	SHIP DIMENSIONS
CFB450NG CFB450LP	450K BTU Original Brass Burner		SHIPS FREIGHT
Recommended parts: Plate: ALPL60S (square) • Flex Line Kit: DFLKV34FIT300 • Optional 10x Support Collars			
CFB450NGALPL60S CFB450LPALPL60S	with 60" Square Plate		SHIPS FREIGHT
CFB450NGALPL60SDFLKV34FIT300 CFB450LPALPL60SDFLKV34FIT300	with 60" Square Plate + 3/4" Dual Flex Line Kit + FIT300		SHIPS FREIGHT
Compatible Ignition Systems: 24 Volt Spark Ignition, 24 Volt Hot Surface Ignition (HC)			



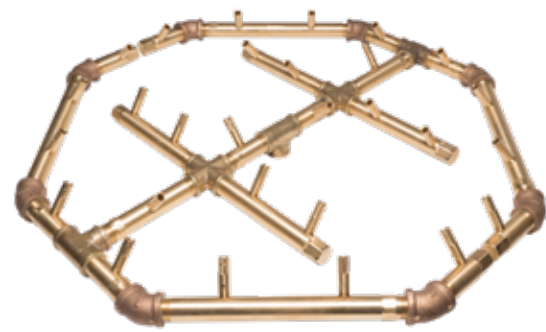
OCTAGONAL CFBO180
For 24" opening or larger

SKU (NG OR LP)	DESCRIPTION	SHIP WEIGHT	SHIP DIMENSIONS
CFBO180NG CFBO180LP	180K BTU Octagonal Brass Burner	10 lbs	19" x 15" x 5"
Recommended parts: Plate: ALPL24S (square) • Flex Line Kit: FLKV34FIT180 • Optional 4x Support Collars			
CFBO180NGALPL24S CFBO180LPALPL24S	with 24" Square Plate	20 lbs	26" x 26" x 6"
CFBO180NGALPL24SFLKV34FIT180 CFBO180LPALPL24SFLKV34FIT180	with 24" Square Plate + 3/4" Flex Line Kit+ FIT180	25 lbs	26" x 26" x 6"
Compatible Ignition Systems: Push Button, 24 Volt Spark Ignition, 24 Volt Hot Surface Ignition (SC)			

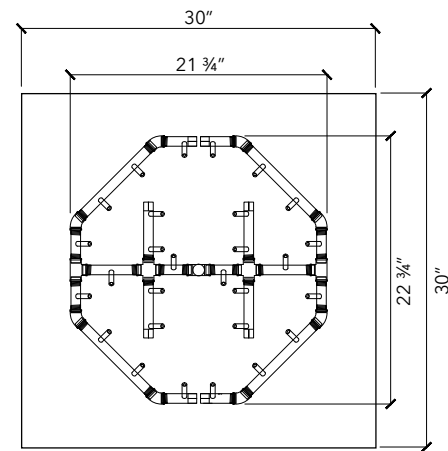
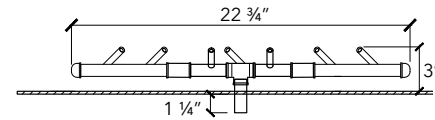
Images for reference only. Drawings provided within 1" of variance of burner measurements.

PAN AND PLATES AVAILABLE ON PAGE 30

SKU BREAKDOWN **CFBO360NGALPL30CDFLKV34FIT300**
 CROSSFIRE Brass Burner Octagonal BTU Gas Plate Size of Shape Flex Line, Key
 (Burner Type) Type Type or Pan Plate of Plate Valve & Fit Kit

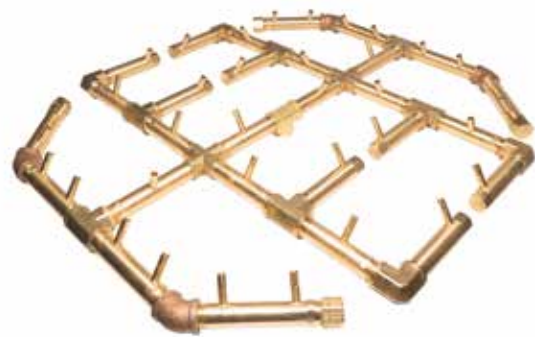


OCTAGONAL CFBO280
For 30" opening or larger

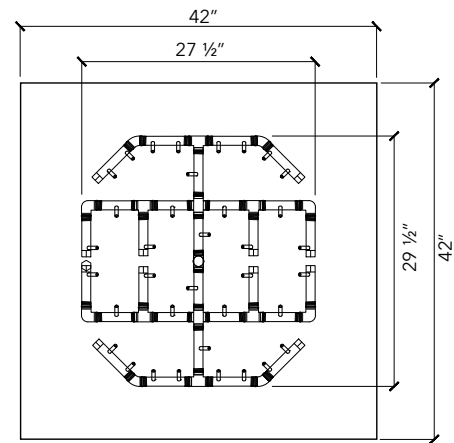
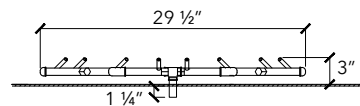


SKU (NG OR LP)	DESCRIPTION	SHIP WEIGHT	SHIP DIMENSIONS
CFBO280NG CFBO280LP	280K BTU Octagonal Brass Burner	13 lbs	25" x 25" x 7"
Recommended parts: Plate: ALPL30S (square) • Flex Line Kit: DFLKV34FIT250 • Optional 5x Support Collars			
CFBO280NGALPL30S CFBO280LPALPL30S	with 30" Square Plate	27 lbs	32" x 32" x 8"
CFBO280NGALPL30SDFLKV34FIT250 CFBO280LPALPL30SDFLKV34FIT250	with 30" Square Plate + 3/4" Dual Flex Line Kit + FIT250	35 lbs	32" x 32" x 8"
Compatible Ignition Systems: 24 Volt Spark Ignition, 24 Volt Hot Surface Ignition (HC)			

Images for reference only. Drawings provided within 1" of variance of burner measurements.



OCTAGONAL CFBO360
For 42" opening or larger



SKU (NG OR LP)	DESCRIPTION	SHIP WEIGHT	SHIP DIMENSIONS
CFBO360NG CFB360LP	360K BTU Octagonal Brass Burner	22 lbs	31" x 31" x 7"
Recommended parts: Plate: ALPL42S (square) • Flex Line Kit: DFLKV34FIT300 • Optional 7x Support Collars			
CFBO360NGALPL42S CFBO360LPALPL42S	with 42" Square Plate		SHIPS FREIGHT
CFBO360NGALPL42SDFLKV34FIT300 CFBO360LPALPL42SDFLKV34FIT300	with 42" Square Plate + 3/4" Dual Flex Line Kit + FIT300		SHIPS FREIGHT
Compatible Ignition Systems: 24 Volt Spark Ignition, 24 Volt Hot Surface Ignition (HC)			

Images for reference only. Drawings provided within 1" of variance of burner measurements.

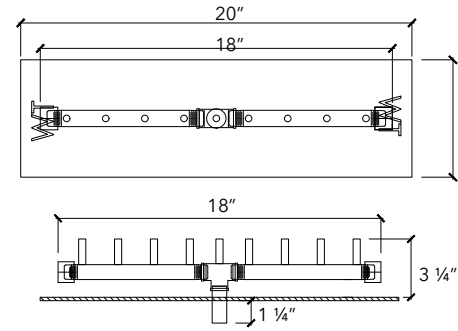
LIGHT IT UP! IGNITION SYSTEMS START ON PAGE 43



**OPTIONS FOR
RECTANGULAR
OPENINGS**

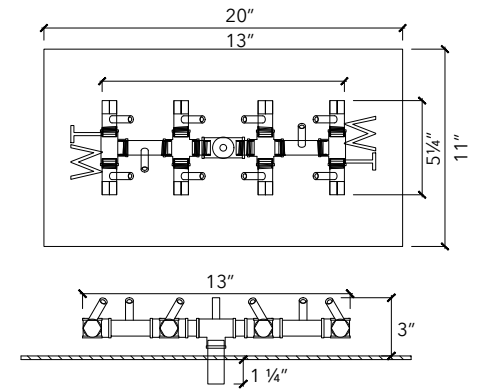
Designed for standard sized rectangular fire features, these CROSSFIRE® Brass Burners range from 90K to 480K BTUs.

Need a different size or shape? We're happy to help. Call our Flame Consultants at 877 556 5255



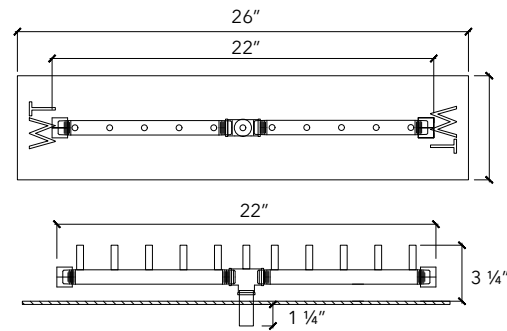
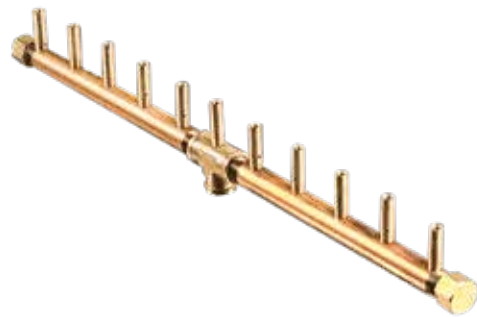
LINEAR CFBL90
For 20" x 6" opening or larger

SKU (NG OR LP)	DESCRIPTION	SHIP WEIGHT	SHIP DIMENSIONS
CFBL90NG CFBL90LP	90K BTU Linear Brass Burner	4 lbs	25" x 5" x 5"
Recommended parts: Plate: ALPL206 • Flex Line Kit: FLKV12 • Optional 3x Support Collars			
CFBL90NGALPL206 CFBL90LPALPL206	with 20" x 6" Rectangle Plate	7 lbs	25" x 9" x 7"
CFBL90NGALPL206FLKV12 CFBL90LPALPL206FLKV12	with 20" x 6" Plate + 1/2" Flex Line Kit	11 lbs	25" x 9" x 7"
Compatible Ignition Systems: Push Button, 3 Volt, 24 Volt Spark Ignition, 24 Volt Hot Surface Ignition (SC)			



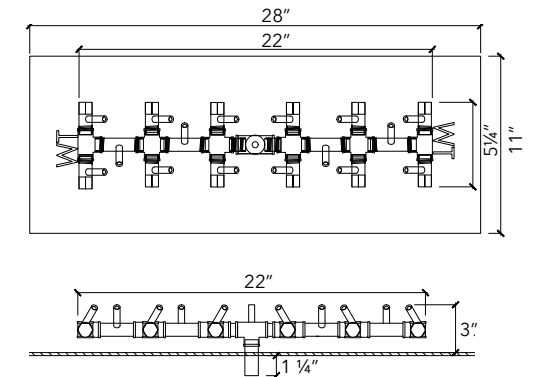
TREE-STYLE CFBT110
For 20" x 11" opening or larger

SKU (NG OR LP)	DESCRIPTION	SHIP WEIGHT	SHIP DIMENSIONS
CFBT110NG CFBT110LP	110K BTU Tree-Style Brass Burner	6 lbs	15" x 15" x 5"
Recommended parts: Plate: ALPL2011 • Flex Line Kit: FLKV12 • Optional 3x Support Collars			
CFBT110NGALPL2011 CFBT110LPALPL2011	with 20" x 11" Rectangle Plate	12 lbs	21" x 21" x 7"
CFBT110NGALPL2011FLKV12 CFBT110LPALPL2011FLKV12	with 20" x 11" Plate + 1/2" Flex Line Kit	16 lbs	21" x 21" x 7"
Compatible Ignition Systems: Push Button, 3 Volt, 24 Volt Spark Ignition, 24 Volt Hot Surface Ignition (SC)			



LINEAR CFBL110
For 26" x 6" opening or larger

SKU (NG OR LP)	DESCRIPTION	SHIP WEIGHT	SHIP DIMENSIONS
CFBL110NG CFBL110LP	110K BTU Linear Brass Burner	5 lbs	25" x 5" x 5"
Recommended parts: Plate: ALPL266 • Flex Line Kit: FLKV12 • Optional 3x Support Collars			
CFBL110NGALPL266 CFBL110LPALPL266	with 26" x 6" Rectangle Plate	10 lbs	31" x 7" x 7"
CFBL110NGALPL266FLKV12 CFBL110LPALPL266FLKV12	with 26" x 6" Plate + 1/2" Flex Line Kit	15 lbs	31" x 7" x 7"
Compatible Ignition Systems: Push Button, 3 Volt, 24 Volt Spark Ignition, 24 Volt Hot Surface Ignition (SC)			

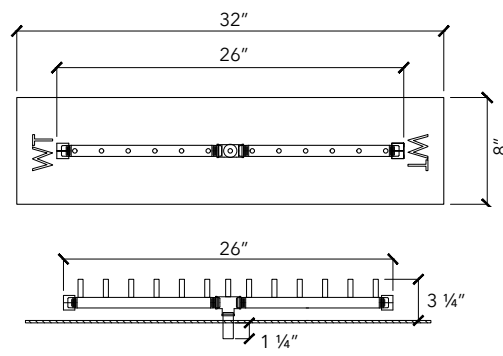
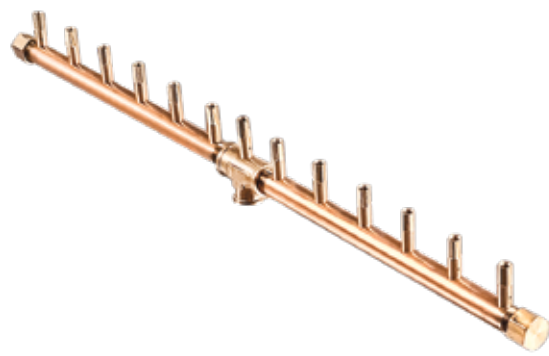


TREE-STYLE CFBT170
For 28" x 11" opening or larger

SKU (NG OR LP)	DESCRIPTION	SHIP WEIGHT	SHIP DIMENSIONS
CFBT170NG CFBT170LP	170K BTU Tree-Style Brass Burner	8 lbs	25" x 9" x 7"
Recommended parts: Plate: ALPL2811 • Flex Line Kit: FLKV34FIT180 • Optional 4x Support Collars			
CFBT170NGALPL2811 CFBT170LPALPL2811	with 28" x 11" Rectangle Plate	16 lbs	37" x 13" x 13"
CFBT170NGALPL2811FLKV34FIT180 CFBT170LPALPL2811FLKV34FIT180	with 28" x 11" Plate + 3/4" Flex Line Kit + FIT180	20 lbs	37" x 13" x 13"
Compatible Ignition Systems: Push Button, 24 Volt Spark Ignition, 24 Volt Hot Surface Ignition (SC)			

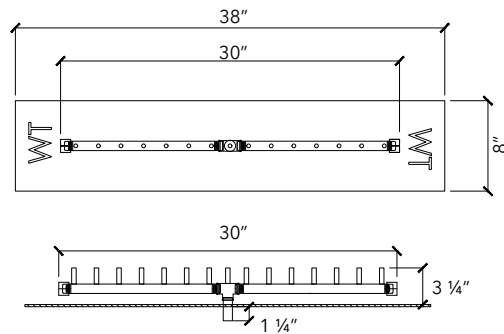
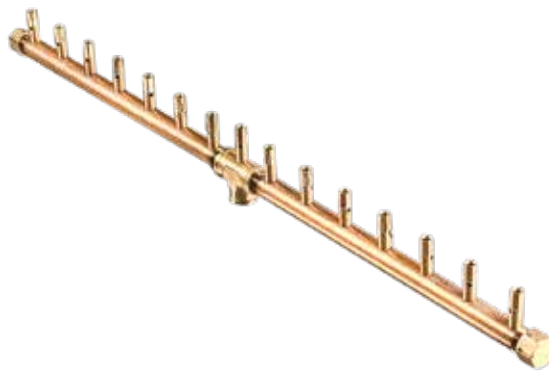
COMPLETE THE FEATURE WITH MEDIA, PAGE 45

SKU BREAKDOWN **CFB** | **O360** | **NG** | **ALPL30** | **C** | **DFLKV34FIT300**
 CROSSFIRE Brass Burner | Octagonal BTU Gas Plate Size of Shape Flex Line, Key
 (Burner Type) | Type | or Pan Plate of Plate | Valve & Fit Kit



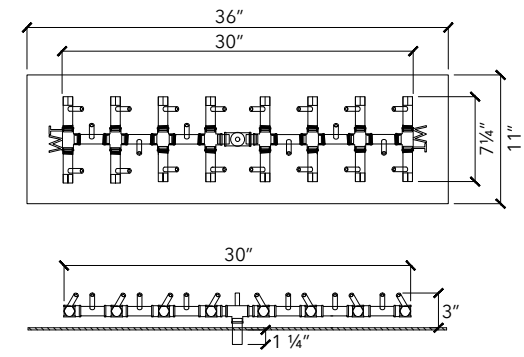
LINEAR CFBL130
For 32" x 8" opening or larger

SKU (NG OR LP)	DESCRIPTION	SHIP WEIGHT	SHIP DIMENSIONS
CFBL130NG CFBL130LP	130K BTU Linear Brass Burner	5 lbs	37" x 5" x 5"
Recommended parts: Plate: ALPL328 • Flex Line Kit: FLKV34FIT180 • Optional 4x Support Collars			
CFBL130NGALPL328 CFBL130LPALPL328	with 32" x 8" Rectangle Plate	11 lbs	37" x 13" x 13"
CFBL130NGALPL328FLKV34FIT180 CFBL130LPALPL328FLKV34FIT180	with 32" x 8" Plate + 3/4" Flex Line Kit + FIT180	14 lbs	37" x 13" x 13"
Compatible Ignition Systems: Push Button, 24 Volt Spark Ignition, 24 Volt Hot Surface Ignition (SC)			



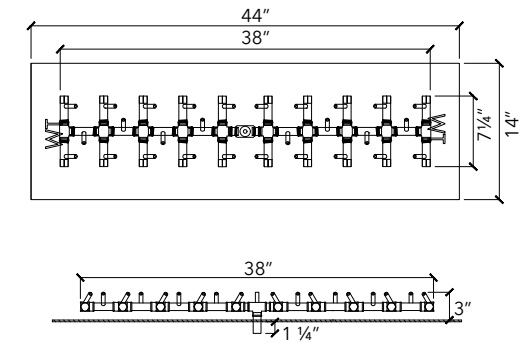
LINEAR CFBL150
For 38" x 8" opening or larger

SKU (NG OR LP)	DESCRIPTION	SHIP WEIGHT	SHIP DIMENSIONS
CFBL150NG CFBL150LP	150K BTU Linear Brass Burner	5 lbs	37" x 5" x 5"
Recommended parts: Plate: ALPL388 • Flex Line Kit: FLKV34FIT180 • Optional 4x Support Collars			
CFBL150NGALPL388 CFBL150LPALPL388	with 38" x 8" Rectangle Plate	14 lbs	41" x 9" x 9"
CFBL150NGALPL388FLKV34FIT180 CFBL150LPALPL388FLKV34FIT180	with 38" x 8" Plate + 3/4" Flex Line Kit + FIT180	19 lbs	41" x 9" x 9"
Compatible Ignition Systems: Push Button, 24 Volt Spark Ignition, 24 Volt Hot Surface Ignition (SC)			



TREE-STYLE CFBT230
For 36" x 11" opening or larger

SKU (NG OR LP)	DESCRIPTION	SHIP WEIGHT	SHIP DIMENSIONS
CFBT230NG CFBT230LP	230K BTU Tree-Style Brass Burner	10 lbs	37" x 13" x 13"
Recommended parts: Plate: ALPL3611 • Flex Line Kit: FLKV34FIT180 • Optional 5x Support Collars			
CFBT230NGALPL3611 CFBT230LPALPL3611	with 36" x 11" Rectangle Plate	19 lbs	37" x 13" x 13"
CFBT230NGALPL3611FLKV34FIT180 CFBT230LPALPL3611FLKV34FIT180	with 36" x 11" Plate + 3/4" Flex Line Kit + FIT180	24 lbs	37" x 13" x 13"
Compatible Ignition Systems: Push Button, 24 Volt Spark Ignition, 24 Volt Hot Surface Ignition (SC)			

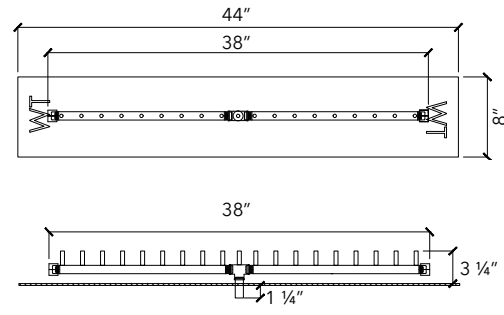
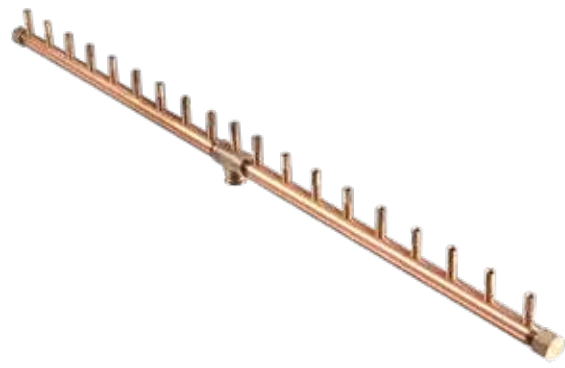


TREE-STYLE CFBT290
For 44" x 14" opening or larger

SKU (NG OR LP)	DESCRIPTION	SHIP WEIGHT	SHIP DIMENSIONS
CFBT290NG CFBT290LP	290K BTU Tree-Style Brass Burner	12 lbs	49" x 9" x 9"
Recommended parts: Plate: ALPL4414 • Flex Line Kit: DFLKV34FIT250 • Optional 5x Support Collars			
CFBT290NGALPL4414 CFBT290LPALPL4414	with 44" x 14" Rectangle Plate	30 lbs	49" x 17" x 17"
CFBT290NGALPL4414DFLKV34FIT250 CFBT290LPALPL4414DFLKV34FIT250	with 44" x 14" Plate + 3/4" Dual Flex Line Kit + FIT250	36 lbs	49" x 17" x 17"
Compatible Ignition Systems: Push Button, 24 Volt Spark Ignition, 24 Volt Hot Surface Ignition (SC)			

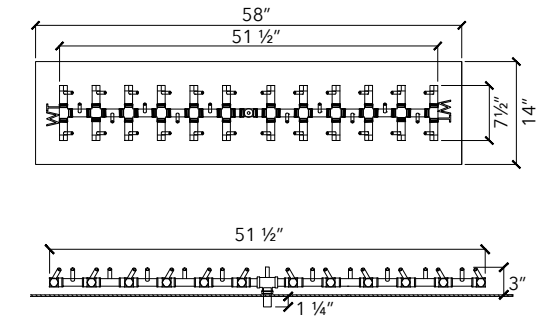
PAN AND PLATES AVAILABLE ON PAGE 30

SKU BREAKDOWN **CFB O 360 NG ALPL 30 C DFLKV 34 FIT 300**
 CROSSFIRE Brass Burner Octagonal BTU Gas Plate Size of Shape Flex Line, Key
 (Burner Type) Type or Pan Plate of Plate Valve & Fit Kit



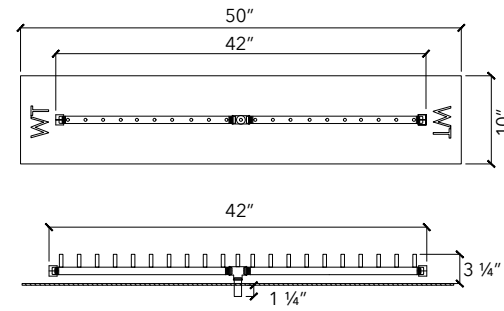
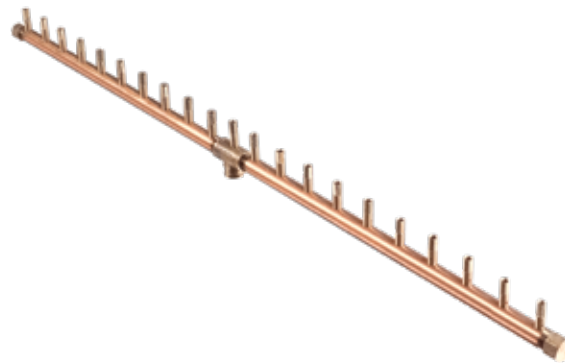
LINEAR CFBL190
For 44" x 8" opening or larger

SKU (NG OR LP)	DESCRIPTION	SHIP WEIGHT	SHIP DIMENSIONS
CFBL190NG CFBL190LP	190K BTU Linear Brass Burner	6 lbs	49" x 5" x 5"
Recommended parts: Plate: ALPL448 • Flex Line Kit: FLKV34FIT180 • Optional 5x Support Collars			
CFBL190NGALPL448 CFBL190LPALPL448	with 44" x 8" Rectangle Plate	17 lbs	49" x 9" x 9"
CFBL190NGALPL448FLKV34FIT180 CFBL190LPALPL448FLKV34FIT180	with 44" x 8" Plate + 3/4" Flex Line Kit + FIT180	22 lbs	49" x 9" x 9"
Compatible Ignition Systems: Push Button, 24 Volt Spark Ignition, 24 Volt Hot Surface Ignition (SC)			



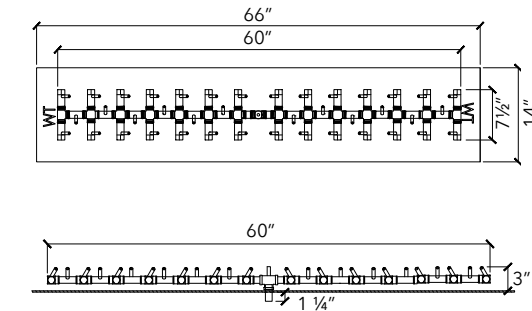
TREE-STYLE CFBT350
For 58" x 14" opening or larger

SKU (NG OR LP)	DESCRIPTION	SHIP WEIGHT	SHIP DIMENSIONS
CFBT350NG CFBT350LP	350K BTU Tree-Style Brass Burner	20 lbs	61" x 9" x 9"
Recommended parts: Plate: ALPL5814 • Flex Line Kit: DFLKV34FIT300 • Optional 7x Support Collars			
CFBT350NGALPL5814 CFBT350LPALPL5814	with 58" x 14" Rectangle Plate		SHIPS FREIGHT
CFBT350NGALPL5814DFLKV34FIT300 CFBT350LPALPL5814DFLKV34FIT300	with 58" x 14" Plate + 3/4" Dual Flex Line Kit + FIT300		SHIPS FREIGHT
Compatible Ignition Systems: 24 Volt Hot Surface Ignition (HC)			



LINEAR CFBL210
For 50" x 10" opening or larger

SKU (NG OR LP)	DESCRIPTION	SHIP WEIGHT	SHIP DIMENSIONS
CFBL210NG CFBL210LP	210K BTU Linear Brass Burner	7 lbs	49" x 5" x 5"
Recommended parts: Plate: ALPL5010 • Flex Line Kit: FLKV34FIT180 • Optional 6x Support Collars			
CFBL210NGALPL5010 CFBL210LPALPL5010	with 50" x 10" Rectangle Plate	23 lbs	61" x 9" x 9"
CFBL210NGALPL5010FLKV34FIT180 CFBL210LPALPL5010FLKV34FIT180	with 50" x 10" Plate + 3/4" Flex Line Kit + FIT180	28 lbs	61" x 9" x 9"
Compatible Ignition Systems: Push Button, 24 Volt Spark Ignition, 24 Volt Hot Surface Ignition (SC)			

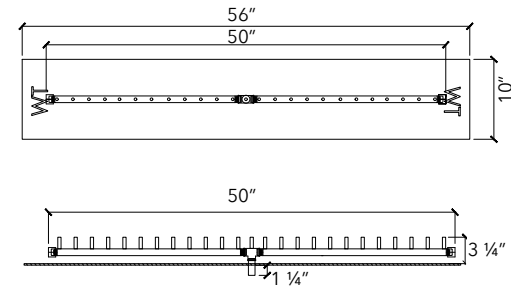
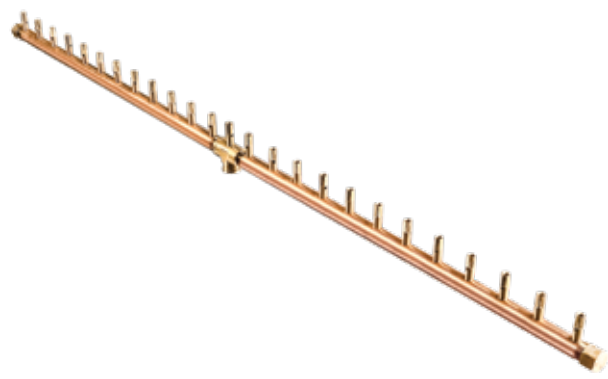


TREE-STYLE CFBT410
For 66" x 14" opening or larger

SKU (NG OR LP)	DESCRIPTION	SHIP WEIGHT	SHIP DIMENSIONS
CFBT410NG CFBT410LP	410K BTU Tree-Style Brass Burner	20 lbs	61" x 61" x 9"
Recommended parts: Plate: ALPL6614 • Flex Line Kit: FLKV34FIT180 • Optional 8x Support Collars			
CFBT410NGALPL6614 CFBT410LPALPL6614	with 66" x 14" Rectangle Plate		SHIPS FREIGHT
CFBT410NGALPL6614DFLKV34FIT300 CFBT410LPALPL6614DFLKV34FIT300	with 66" x 14" Plate + 3/4" Dual Flex Line Kit + FIT300		SHIPS FREIGHT
Compatible Ignition Systems: 24 Volt Hot Surface Ignition (HC)			

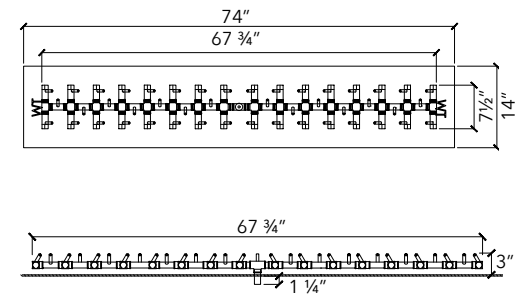
LIGHT IT UP! IGNITION SYSTEMS START ON PAGE 43

SKU BREAKDOWN **CFB O 3 6 0 N G A L P L 3 0 C D F L K V 3 4 F I T 3 0 0**
 CROSSFIRE Brass Burner Octagonal BTU Gas Plate Size of Shape Flex Line, Key
 (Burner Type) Type or Pan Plate of Plate Valve & Fit Kit



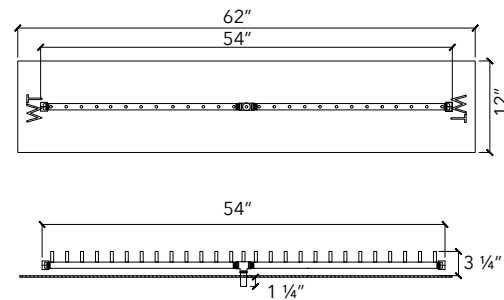
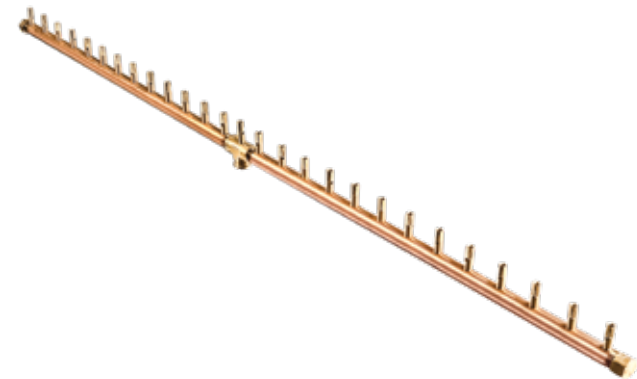
LINEAR CFBL250
For 56" x 10" opening or larger

SKU (NG OR LP)	DESCRIPTION	SHIP WEIGHT	SHIP DIMENSIONS
CFBL250NG CFBL250LP	250K BTU Linear Brass Burner	7 lbs	61" x 5" x 5"
Recommended parts: Plate: ALPL5610 • Flex Line Kit: DFLKV34FIT240 • Optional 7x Support Collars			
CFBL250NGALPL5610 CFBL250LPALPL5610	with 56" x 10" Rectangle Plate	70 lbs	61" x 9" x 9"
CFBL250NGALPL5610DFLKV34FIT250 CFBL250LPALPL5610DFLKV34FIT250	with 56" x 10" Plate + 3/4" Dual Flex Line Kit + FIT250	75 lbs	61" x 9" x 9"
Compatible Ignition Systems: Push Button, 24 Volt Spark Ignition, 24 Volt Hot Surface Ignition (SC)			



TREE-STYLE CFBT470
For 74" x 14" opening or larger

SKU (NG OR LP)	DESCRIPTION	SHIP WEIGHT	SHIP DIMENSIONS
CFBT470NG CFBT470LP	470K BTU Tree-Style Brass Burner		SHIPS FREIGHT
Recommended parts: Plate: ALPL7414 • Flex Line Kit: DFLKV34FIT300 • Optional 9x Support Collars			
CFBT470NGALPL7414 CFBT470LPALPL7414	with 74" x 14" Rectangle Plate		SHIPS FREIGHT
CFBT470NGALPL7414DFLKV34FIT300 CFBT470LPALPL7414DFLKV34FIT300	with 74" x 14" Plate + 3/4" Dual Flex Line Kit + FIT300		SHIPS FREIGHT
Compatible Ignition Systems: 24 Volt Hot Surface Ignition (HC)			



LINEAR CFBL270
For 62" x 12" opening or larger

SKU (NG OR LP)	DESCRIPTION	SHIP WEIGHT	SHIP DIMENSIONS
CFBL270NG CFBL270LP	270K BTU Linear Brass Burner	8 lbs	61" x 5" x 5"
Recommended parts: Plate: ALPL6212 • Flex Line Kit: DFLKV34FIT240 • Optional 8x Support Collars			
CFBL270NGALPL6212 CFBL270LPALPL6212	with 62" x 12" Rectangle Plate		SHIPS FREIGHT
CFBL270NGALPL6212DFLKV34FIT250 CFBL270LPALPL6212DFLKV34FIT250	with 62" x 12" Plate + 3/4" Dual Flex Line Kit + FIT250		SHIPS FREIGHT
Compatible Ignition Systems: Push Button, 24 Volt Spark Ignition, 24 Volt Hot Surface Ignition (SC)			

SKU BREAKDOWN

CFBO360NGALPL30CDFLKV34FIT300

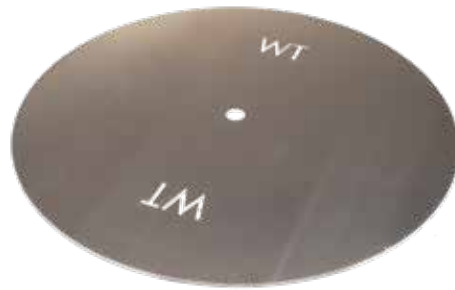
CROSSFIRE Brass Burner Octagonal BTU Gas Plate Size of Shape Flex Line, Key Valve & Fit Kit
(Burner Type) Type or Pan Plate of Plate & Fit Kit

PLATES & PANS



Cut from aluminum using state-of-the-art water jet technology, Warming Trends plates and pans are corrosion resistant and include drainage vents.

CIRCULAR PLATES and PANS



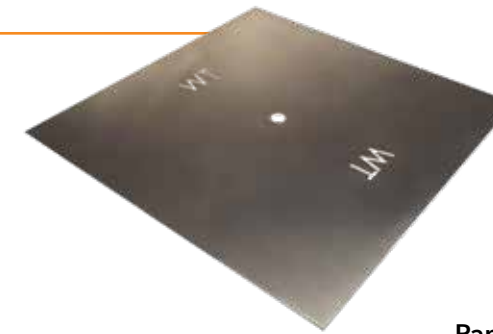
Plates

SKU	DESCRIPTION	SHIP WEIGHT + DIMENSIONS	
ALPL18C	18" Circular	6 lbs	19" x 19" x 7"
ALPL24C	24" Circular	8 lbs	25" x 25" x 7"
ALPL30C	30" Circular	11 lbs	31" x 31" x 7"
ALPL36C	36" Circular	16 lbs	37" x 37" x 9"
ALPL42C	42" Circular	SHIPS FREIGHT	
ALPL48C	48" Circular	SHIPS FREIGHT	
ALPL60C	60" Circular	SHIPS FREIGHT	
ALPL12-17C	12" - 17" Circular	5 lbs	19" x 19" x 7"
ALPL19-23C	19" - 23" Circular	8 lbs	25" x 25" x 7"
ALPL25-29C	25" - 29" Circular	11 lbs	31" x 31" x 7"
ALPL31-35C	31" - 35" Circular	15 lbs	37" x 37" x 9"
ALPL37-41C	37" - 41" Circular	SHIPS FREIGHT	
ALPL43-47C	43" - 47" Circular	SHIPS FREIGHT	
ALPL49-59C	49" - 49" Circular	SHIPS FREIGHT	
ALPL61-66C	61" - 66" Circular	SHIPS FREIGHT	
ALPL67-72C	67" - 72" Circular	SHIPS FREIGHT	
ALPL73-80C	73" - 80" Circular	SHIPS FREIGHT	

Pans (Pans include 2" welded sidewall)

SKU	DESCRIPTION	SHIP WEIGHT + DIMENSIONS	
ALPAN18C	18" Circular	7 lbs	19" x 19" x 7"
ALPAN24C	24" Circular	9 lbs	25" x 25" x 7"
ALPAN30C	30" Circular	12 lbs	31" x 31" x 7"
ALPAN36C	36" Circular	17 lbs	37" x 37" x 9"
ALPAN42C	42" Circular	SHIPS FREIGHT	
ALPAN48C	48" Circular	SHIPS FREIGHT	
ALPAN60C	60" Circular	SHIPS FREIGHT	
ALPAN12-17C	12" - 17" Circular	6 lbs	19" x 19" x 7"
ALPAN19-23C	19" - 23" Circular	9 lbs	25" x 25" x 7"
ALPAN25-29C	25" - 29" Circular	12 lbs	31" x 31" x 7"
ALPAN31-35C	31" - 35" Circular	16 lbs	37" x 37" x 9"
ALPAN37-41C	37" - 41" Circular	SHIPS FREIGHT	
ALPAN43-47C	43" - 47" Circular	SHIPS FREIGHT	
ALPAN49-59C	49" - 59" Circular	SHIPS FREIGHT	

SQUARE PLATES and PANS



Plates

SKU	DESCRIPTION	SHIP WEIGHT + DIMENSIONS	
ALPL18S	18" Square	7 lbs	21" x 21" x 7"
ALPL24S	24" Square	10 lbs	27" x 27" x 7"
ALPL30S	30" Square	14 lbs	33" x 33" x 9"
ALPL36S	36" Square	19 lbs	39" x 39" x 7"
ALPL42S	42" Square	SHIPS FREIGHT	
ALPL48S	48" Square	SHIPS FREIGHT	
ALPL60S	60" Square	SHIPS FREIGHT	
ALPL12-17S	12" - 17" Square	6 lbs	19" x 19" x 7"
ALPL19-23S	19" - 23" Square	9 lbs	25" x 25" x 7"
ALPL25-29S	25" - 29" Square	13 lbs	31" x 31" x 7"
ALPL31-35S	31" - 35" Square	18 lbs	37" x 37" x 9"
ALPL37-41S	37" - 41" Square	SHIPS FREIGHT	
ALPL43-47S	43" - 47" Square	SHIPS FREIGHT	
ALPL49-59S	49" - 59" Square	SHIPS FREIGHT	
ALPL61-66S	61" - 66" Square	SHIPS FREIGHT	
ALPL67-72S	67" - 72" Square	SHIPS FREIGHT	
ALPL73-80S	73" - 80" Square	SHIPS FREIGHT	

Pans (Pans include 2" welded sidewall)

SKU	DESCRIPTION	SHIP WEIGHT + DIMENSIONS	
ALPAN18S	18" Square	8 lbs	21" x 21" x 7"
ALPAN24S	24" Square	11 lbs	27" x 27" x 7"
ALPAN30S	30" Square	15 lbs	33" x 33" x 9"
ALPAN36S	36" Square	20 lbs	39" x 39" x 7"
ALPAN42S	42" Square	SHIPS FREIGHT	
ALPAN48S	48" Square	SHIPS FREIGHT	
ALPAN60S	60" Square	SHIPS FREIGHT	
ALPAN12-17S	12" - 17" Square	7 lbs	19" x 19" x 7"
ALPAN19-23S	19" - 23" Square	10 lbs	25" x 25" x 7"
ALPAN25-29S	25" - 29" Square	14 lbs	31" x 31" x 7"
ALPAN31-35S	31" - 35" Square	19 lbs	37" x 37" x 9"
ALPAN37-41S	37" - 41" Square	SHIPS FREIGHT	
ALPAN43-47S	43" - 47" Square	SHIPS FREIGHT	
ALPAN49-59S	49" - 59" Square	SHIPS FREIGHT	



READY-TO-FINISH KITS

Aluminum frames covered with concrete board, ready to be easily and quickly completed with your choice of media or veneer.

Simply place on site, connect to the gas supply, add stone or other veneer and your fire feature is complete.

Need a different size or shape? We're happy to help. Call our Flame Consultants at 877 556 5255

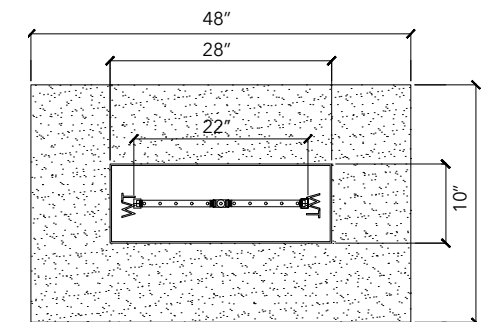
RECTANGULAR LINEAR READY-TO-FINISH KITS

TECH TIP

Ready-to-Finish Kits come with a Fire Pit Vent Kit (FPVK) but they do not come pre-installed as placement and installation depends on veneer. Vents are to be installed by contractor on site.



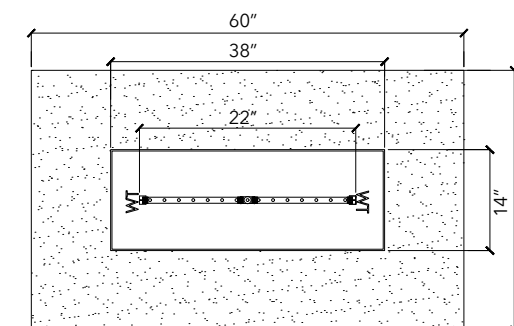
FR6036 shown



FR4830NG | FR4830LP

48" L x 30" W x 18" H Aluminum Frame with Concrete Board Attached
 CFBL110 22" Linear Brass Burner
 28" x 10" Aluminum Pan with 2" Sidewalls
 Fire Pit Vent Kit
 1/2" Flex Line Kit
 Key Valve Extension
 Ignition systems available: Push Button, 3 Volt, 24 Volt Spark Ignition, 24 Volt Hot Surface Ignition (SC)

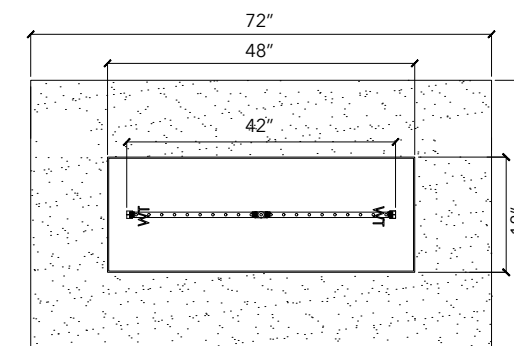
SHIPS FREIGHT



FR6036NG | FR6036LP

60" L x 36" W x 18" H Aluminum Frame with Concrete Board Attached
 CFBL150 30" Linear Brass Burner
 38" x 14" Aluminum Pan with 2" Sidewalls
 Fire Pit Vent Kit
 3/4" Flex Line Kit
 FIT180
 Key Valve Extension
 Ignition systems available: Push Button, 24 Volt Spark Ignition, 24 Volt Hot Surface Ignition (SC)

SHIPS FREIGHT



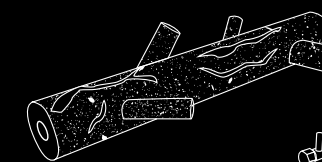
FR7242NG | FR7242LP

72" L x 42" W x 18" H Aluminum Frame with Concrete Board Attached
 CFBL210 40" Linear Brass Burner
 48" x 18" Aluminum Pan with 2" Sidewalls
 Fire Pit Vent Kit
 3/4" Flex Line Kit
 FIT180
 Key Valve Extension
 Ignition systems available: Push Button, 24 Volt Spark Ignition, 24 Volt Hot Surface Ignition (SC)

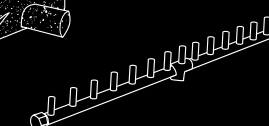
SHIPS FREIGHT

FIRESTORM™ STEEL LOG

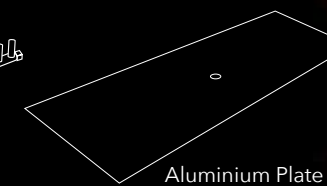
Handcrafted, one-of-a-kind steel gas log features an integrated burner and is sized perfectly for the FR6036.



Handcrafted Steel Log



CFBL150



Aluminium Plate



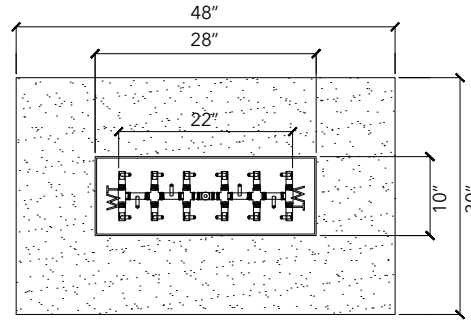
See page 46 for more information or call us at 877 556 5255

RECTANGULAR TREE- STYLE READY-TO-FINISH KITS

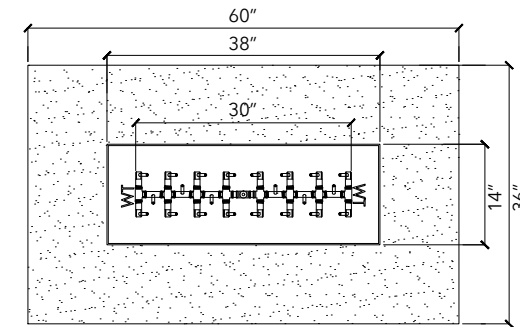
SKU BREAKDOWN **FRT7242NG**
 Style of Ready-to-Finish Kit Size Gas Type



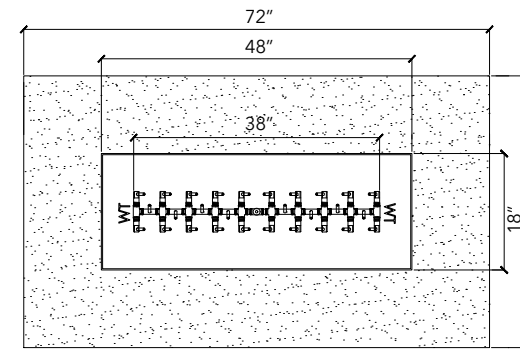
FR6036 shown



FRT4830NG FRT4830LP	
48" L x 30" W x 18" H Aluminum Frame with Concrete Board Attached CFBT170 Tree-Style Brass Burner 28" x 10" Aluminum Pan with 2" Sidewalls Fire Pit Vent Kit ¾" Flex Line Kit FIT180 Key Valve Extension Ignition systems available: Push Button, 24 Volt Spark Ignition, 24 Volt Hot Surface Ignition (SC)	SHIPS FREIGHT



FRT6036NG FRT6036LP	
60" L x 36" W x 18" H Aluminum Frame with Concrete Board Attached CFBT230 Tree-Style Brass Burner 38" x 14" Aluminum Pan with 2" Sidewalls Fire Pit Vent Kit ¾" Flex Line Kit FIT180 Key Valve Extension Ignition systems available: Push Button, 24 Volt Spark Ignition, 24 Volt Hot Surface Ignition (SC)	SHIPS FREIGHT



FRT7242NG FRT7242LP	
72" L x 42" W x 18" H Aluminum Frame with Concrete Board Attached CFBT290 Tree-Style Brass Burner 48" x 18" Aluminum Pan with 2" Sidewalls Fire Pit Vent Kit Dual ¾" Flex Line Kit FIT250 Key Valve Extension Ignition systems available: Push Button, 24 Volt Spark Ignition, 24 Volt Hot Surface Ignition (SC)	SHIPS FREIGHT

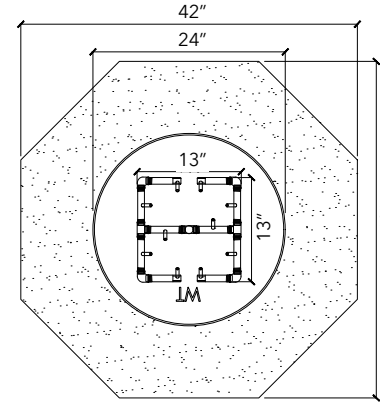
OCTAGONAL READY-TO-FINISH KITS

TECH TIP Ready-to-Finish Kits come with a Fire Pit Vent Kit (FPVK) but they do not come pre-installed as placement and installation depends on veneer. Vents are to be installed by contractor on site.

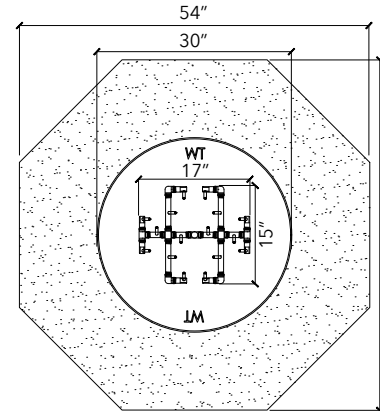


FO54 shown

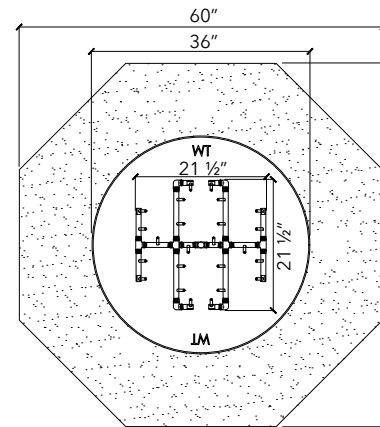
SKU BREAKDOWN **FRT7242NG**
 Style of Ready-to-Finish Kit Size Gas Type



FO42NG FO42LP	
42" W x 18" H Aluminum Frame with Concrete Board Attached CFB120 Original Brass Burner 24" Aluminum Pan with 2" Sidewalls Fire Pit Vent Kit ½" Flex Line Kit Key Valve Extension Ignition systems available: Push Button, 3 Volt, 24 Volt Spark Ignition, 24 Volt Hot Surface Ignition	SHIPS FREIGHT



FO54NG FO54LP	
54" W x 18" H Aluminum Frame with Concrete Board Attached CFB180 Original Brass Burner 30" Aluminum Pan with 2" Sidewalls Fire Pit Vent Kit ¾" Flex Line Kit FIT180 Key Valve Extension Ignition systems available: Push Button, 24 Volt Spark Ignition, 24 Volt Hot Surface Ignition	SHIPS FREIGHT



FO60NG FO60LP	
60" W x 18" H Aluminum Frame with Concrete Board Attached CFB290 Original Brass Burner 36" Aluminum Pan with 2" Sidewalls Fire Pit Vent Kit ¾" Dual Flex Line Kit FIT250 Key Valve Extension Ignition systems available: Push Button, 24 Volt Spark Ignition, 24 Volt Hot Surface Ignition	SHIPS FREIGHT



CUSTOM LINEAR READY-TO-FINISH KITS

Your design is custom. Your fire feature should be, too.

Every day Warming Trends designs and manufactures truly custom fire feature solutions.

Let us create a custom feature for you.
We'd love to help. **877 556 5255**

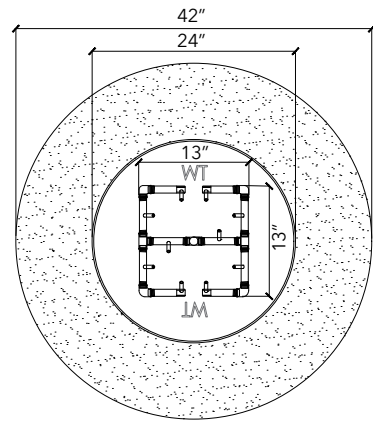
CIRCULAR READY-TO-FINISH KITS

TECH TIP

Ready-to-Finish Kits come with a Fire Pit Vent Kit (FPVK) but they do not come pre-installed as placement and installation depends on veneer. Vents are to be installed by contractor on site.



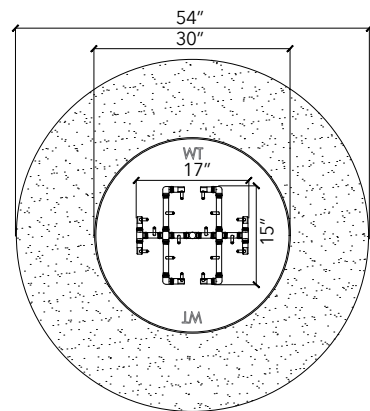
FC42 shown



FC42NG | FC42LP

42" W x 18" H Aluminum Frame with Concrete Board Attached
CFB120 Original Brass Burner
24" Aluminum Pan with 2" Sidewalls
Fire Pit Vent Kit
1/2" Flex Line Kit
Key Valve Extension
Ignition systems available: Push Button, 3 Volt, 24 Volt Spark Ignition, 24 Volt Hot Surface Ignition (SC)

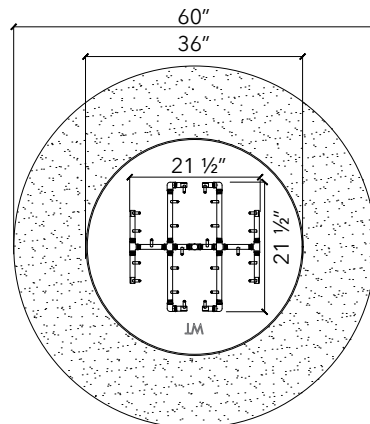
SHIPS FREIGHT



FC54NG | FC54LP

54" W x 18" H Aluminum Frame with Concrete Board Attached
CFB180 Original Brass Burner
30" Aluminum Pan with 2" Sidewalls
Fire Pit Vent Kit
3/4" Flex Line Kit
FIT180
Key Valve Extension
Ignition systems available: Push Button, 24 Volt Spark Ignition, 24 Volt Hot Surface Ignition (SC)

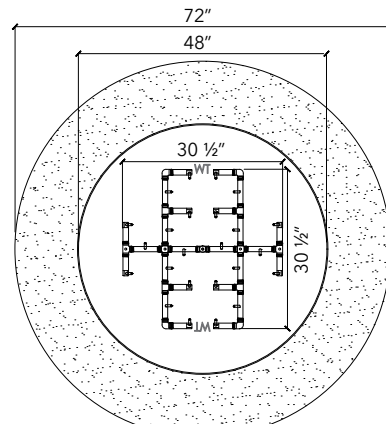
SHIPS FREIGHT



FC60NG | FC60LP

60" W x 18" H Aluminum Frame with Concrete Board Attached
CFB290 Original Brass Burner
36" Aluminum Pan with 2" Sidewalls
Fire Pit Vent Kit
3/4" Dual Flex Line Kit
FIT250
Key Valve Extension
Ignition systems available: Push Button, 24 Volt Spark Ignition, 24 Volt Hot Surface Ignition (SC)

SHIPS FREIGHT



FC72NG | FC72LP

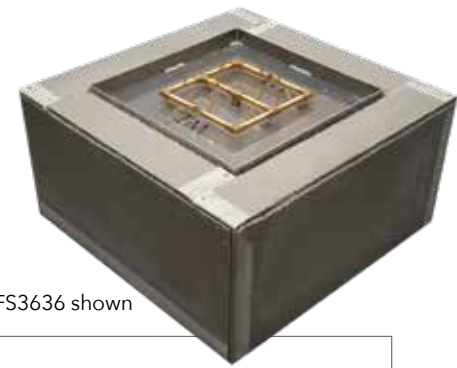
72" W x 18" H Aluminum Frame with Concrete Board Attached
CFB350 Original Brass Burner
48" Aluminum Pan with 2" Sidewalls
Fire Pit Vent Kit
3/4" Dual Flex Line Kit
FIT300
Key Valve Extension
Ignition systems available: 24 Volt Spark Ignition, 24 Volt Hot Surface Ignition (HC)

SHIPS FREIGHT

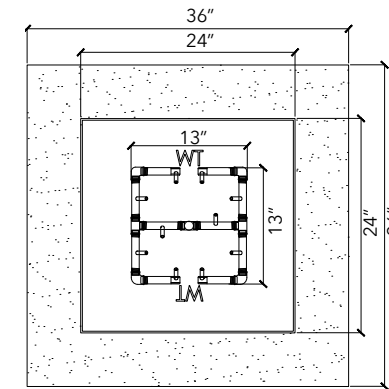
SQUARE READY-TO-FINISH KITS

SKU BREAKDOWN

FRT7242NG
Style of Ready-to-Finish Kit Size Gas Type



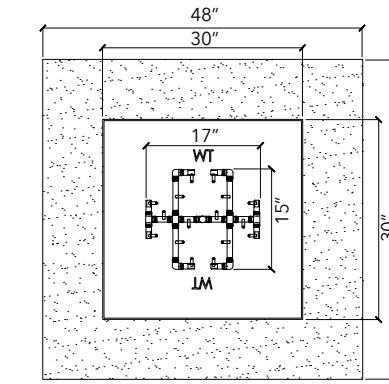
FS3636 shown



FS3636NG | FS3636LP

36" x 36" W x 18" H Aluminum Frame with Concrete Board Attached
CFB120 Original Brass Burner
24" Aluminum Pan with 2" Sidewalls
Fire Pit Vent Kit
1/2" Flex Line Kit
Key Valve Extension
Ignition systems available: Push Button, 3 Volt, 24 Volt Spark Ignition, 24 Volt Hot Surface Ignition (SC)

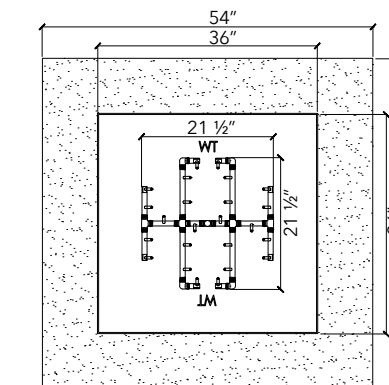
SHIPS FREIGHT



FS4848NG | FS4848LP

48" x 48" W x 18" H Aluminum Frame with Concrete Board Attached
CFB180 Original Brass Burner
30" Aluminum Pan with 2" Sidewalls
Fire Pit Vent Kit
3/4" Flex Line Kit
FIT180
Key Valve Extension
Ignition systems available: Push Button, 24 Volt Spark Ignition, 24 Volt Hot Surface Ignition (SC)

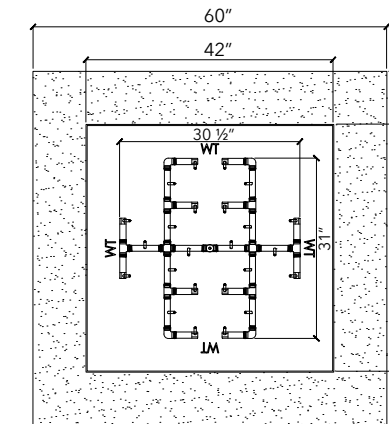
SHIPS FREIGHT



FS5454NG | FS5454LP

54" x 54" W x 18" H Aluminum Frame with Concrete Board Attached
CFB290 Original Brass Burner
36" Aluminum Pan with 2" Sidewalls
Fire Pit Vent Kit
3/4" Dual Flex Line Kit
FIT250
Key Valve Extension
Ignition systems available: Push Button, 24 Volt Spark Ignition, 24 Volt Hot Surface Ignition (SC)

SHIPS FREIGHT



FS6060NG | FS6060LP

60" x 60" W x 18" H Aluminum Frame with Concrete Board Attached
CFB300 Original Brass Burner
42" Aluminum Pan with 2" Sidewalls
Fire Pit Vent Kit
3/4" Dual Flex Line Kit
FIT300
Key Valve Extension
Ignition systems available: 24 Volt Spark Ignition, 24 Volt Hot Surface Ignition (HC)

SHIPS FREIGHT



UNIVERSAL PAVER KITS

Universal Paver Kits are specifically designed to work with a variety of paver company block kits, including Techo-Bloc, Belgard, Pavestone, and many others.

Please confirm interior dimensions of your pit and choose the corresponding Universal Paver Kit for your project.

Questions? We're happy to help. Call our Flame Consultants at 877 556 5255

UNIVERSAL PAVER KITS

Warming Trends Universal Paver Kits include everything needed to complete or convert your paver fire pit.

Included in each kit:

- CROSSFIRE® Brass Burner
- Aluminum Plate
- Flex Line Kit
- Key Valve Kit
- Flexible Metal Support Collars

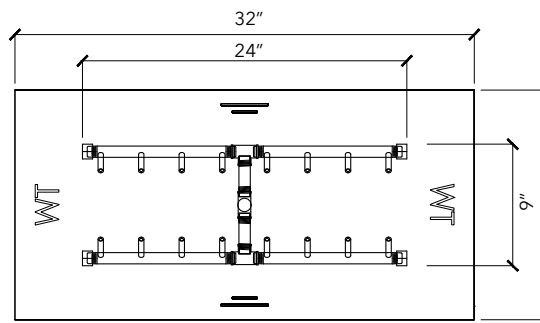
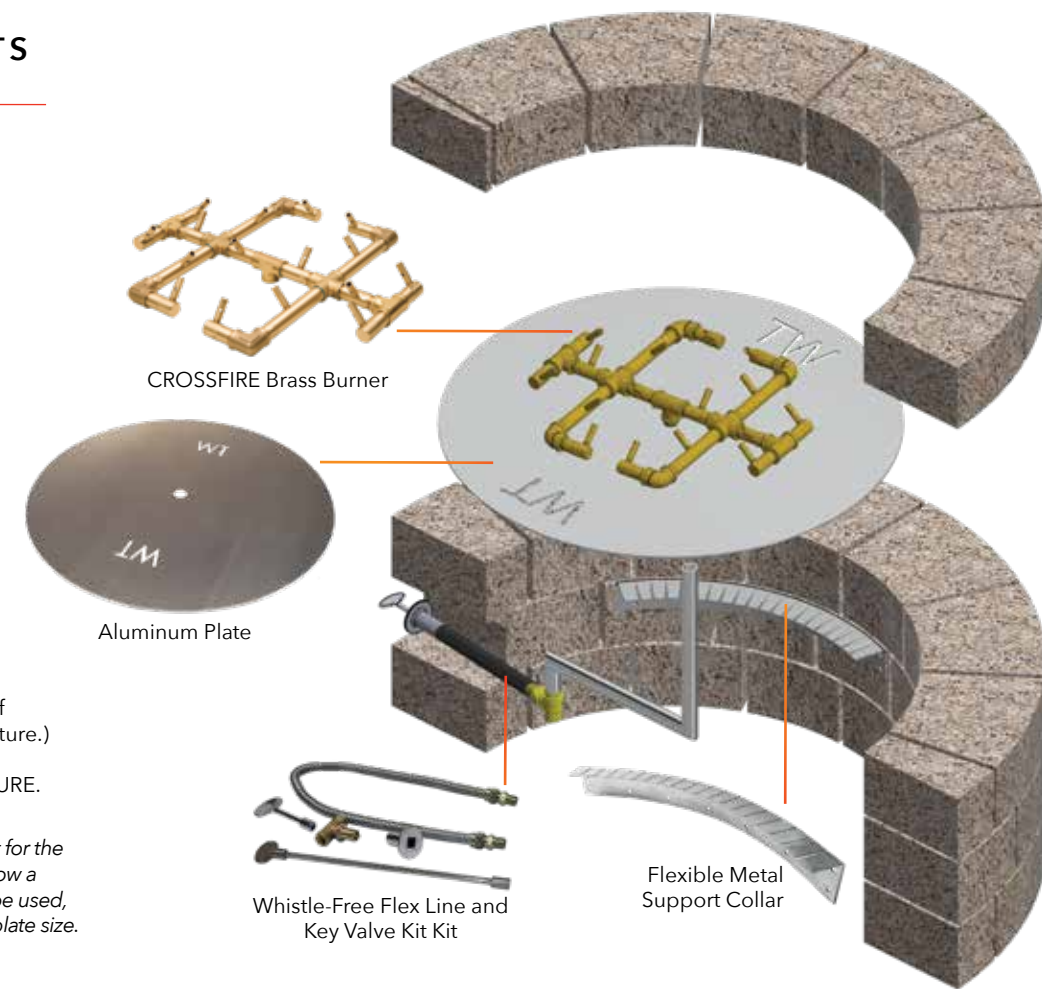
Select the Warming Trends Universal Paver Kit that matches the interior dimensions of your fire pit.

Questions? Want to customize your kit? Give us a call at 877 556 5255

KIT DOES NOT INCLUDE VENTS.
(Manufacturer recommends 18 sq. inches of ventilation on opposing sides of the fire feature.)

KIT DOES NOT INCLUDE STONE/ ENCLOSURE.

TECH TIP Collars provide support for the aluminum plate and allow a range of plate sizes to be used, adding up to 3" to the plate size.

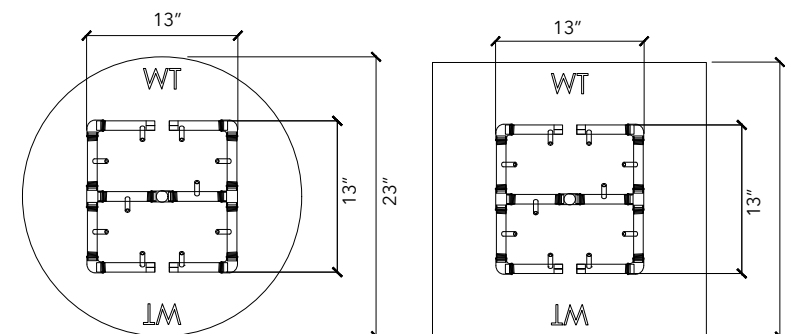


NEW

17 1/2" - 20 1/2 x 32" - 35" RECTANGULAR OPENING

UPK160H3217NG | UPK160H3217LP

CFBH160 H-Style Brass Burner	\$1,260
17 1/2" x 32" Rectangular Aluminum Plate	
3/4" Flex Line Kit + FIT180	34 lbs
Key Valve, Key Valve Extension, Key	
(5) Collars	36" x 23" x 12"



23" - 26" OPENING

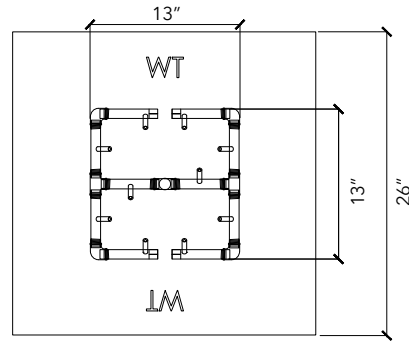
UPK120C23NG | UPK120C23LP

CFB120 Original Brass Burner, 23" Circular Aluminum Plate, 1/2" Flex Line Kit, Key Valve Extension, (4) Collars	28 lbs
	25" x 25" x 7"

UPK120S23NG | UPK120S23LP

CFB120 Original Brass Burner, 23" Square Aluminum Plate, 1/2" Flex Line Kit, Key Valve Extension, (4) Collars	30 lbs
	26" x 26" x 7"

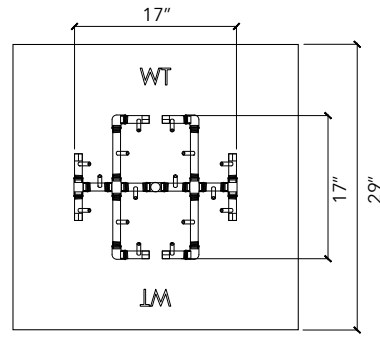
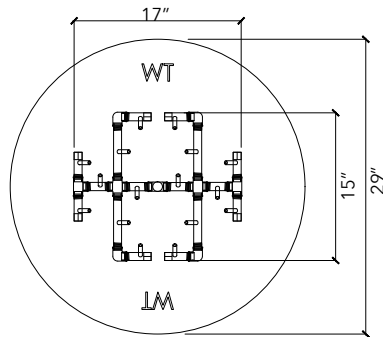
UNIVERSAL PAVER KITS



26" - 29" OPENING

UPK120S26NG | UPK120S26LP

CFB120 Original Brass Burner, 26" Square Aluminum Plate, 1/2" Flex Line Kit, Key Valve Extension, (4) Collars	32 lbs 29" x 29" x 7"
---	--------------------------



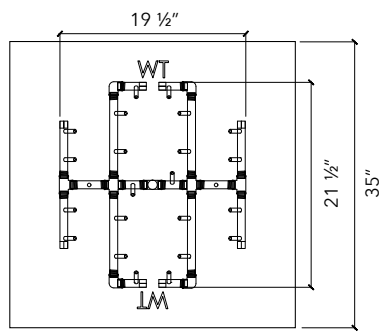
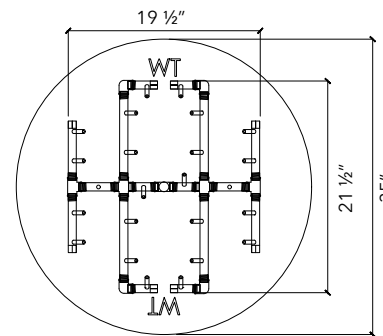
29" - 32" OPENING

UPK180C29NG | UPK180C29LP

CFB180 Original Brass Burner, 29" Circular Aluminum Plate, 3/4" Flex Line Kit + FIT180, Key Valve Extension, (5) Collars	33 lbs 31" x 31" x 7"
--	--------------------------

UPK180C29NG | UPK180C29LP

CFB180 Original Brass Burner, 29" Circular Aluminum Plate, 3/4" Flex Line Kit + FIT180, Key Valve Extension, (5) Collars	34 lbs 33" x 33" x 7"
--	--------------------------



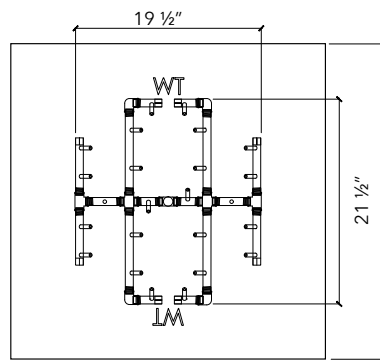
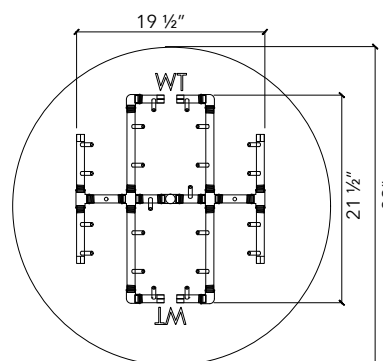
35" - 38" OPENING

UPK240C35NG | UPK240C35LP

CFB240 Original Brass Burner, 35" Circular Aluminum Plate, 3/4" Flex Line Kit + FIT180, Key Valve Extension, (6) Collars	41 lbs 37" x 37" x 7"
--	--------------------------

UPK240S35NG | UPK240S35LP

CFB240 Original Brass Burner, 35" Square Aluminum Plate, 3/4" Flex Line Kit + FIT180, Key Valve Extension, (6) Collars	47 lbs 39" x 39" x 7"
--	--------------------------



39" - 42" OPENING

UPK240C39NG | UPK240C39LP

CFB240 Original Brass Burner, 39" Circular Aluminum Plate, 3/4" Flex Line Kit + FIT180, Key Valve Extension, (7) Collars	SHIPS FREIGHT
--	------------------

UPK240S39NG | UPK240S39LP

CFB240 Original Brass Burner, 39" Square Aluminum Plate, 3/4" Flex Line Kit + FIT180, Key Valve Extension, (7) Collars	SHIPS FREIGHT
--	------------------

So good at making
dreams come true
you'd think we were the
fairy godmother of fire.



Let us create the custom
fire feature of your dreams.

Call us today. We'd love to help. 877 556 5255



IGNITIONS, ACCESSORIES, AND MEDIA

Select the right accents to complement your feature's surroundings. Complete with a secure cover made to fit.

IGNITION SYSTEMS



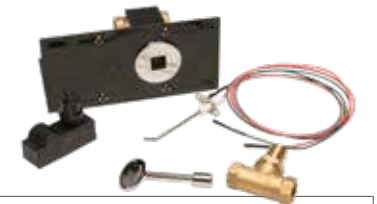
MATCH LIT

All CROSSFIRE Brass Burners come standard as a manual Match Lit System. Light a match and turn the key valve to ignite your fire feature burner.



PUSH BUTTON IGNITION

Upgrade to an electric Push Button Ignition. Turn the key valve to on position and push the button to ignite your burner.

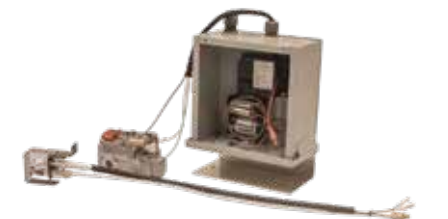


PBIK3.0	Push Button Ignition Kit: Spark Igniter Rod and Wire + Push Button Battery Operated Control Module
PBIK3.0MBR	Push Button Ignition Kit + Mounting Bracket
PBIK3.0MBRKV12	Push Button Ignition Kit + Mounting Bracket + 1/2" Key Valve + (2) Pre-mounted 1/2" Street Elbows
PBIK3.0MBRKV34	Push Button Ignition Kit + Mounting Bracket + 3/4" Key Valve + (2) Pre-mounted 3/4" Street Elbows
PBIK3.0MBRFLKV12	Push Button Ignition Kit + Mounting Bracket + 1/2" Dual Flex Line Kit + (2) Pre-mounted 1/4" Street Elbows
PBIK3.0MBRFLKV34FIT180	Push Button Ignition Kit + Mounting Bracket + 3/4" Flex Line Kit + FIT180 + (2) Pre-mounted 3/4" Street Elbows
PBIK3.0MBRDFLKV34FIT250	Push Button Ignition Kit + Mounting Bracket + 3/4" Dual Flex Line Kit + FIT250 + (2) Pre-mounted 3/4" Street Elbows
PBIK3.0MBRDFLKV34FIT300	Push Button Ignition Kit + Mounting Bracket + 3/4" Dual Flex Line Kit + FIT300 + (2) Pre-mounted 3/4" Street Elbows



3 VOLT IGNITION

A battery-operated ignition system with on and off switch. 3 Volt Ignition supplies up to 120K BTUs. Remote control available.

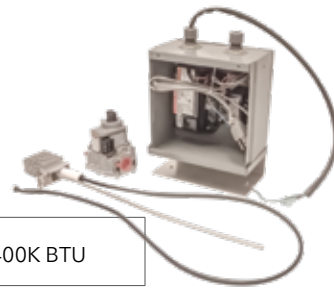


3VIK-NG 3VIK-LP	3 Volt Electronic Ignition System: Spark Igniter + Control Module + D-Cell Battery Pack + 3 Volt Gas Valve + up to 120K BTU + Ignition Switch
--------------------	---



24 VOLT SPARK IGNITION

24 Volt Spark Ignition supplies up to 400K BTUs. Includes step down transformer for use with 24 Volt/110 Volt supply. Remote control options available.



24VIKHC-NG 24VIKHC-LP	24 Volt Spark Ignition System: Spark Igniter + Control Module + 24 Volt Transformer + up to 400K BTU
--------------------------	--



24 VOLT HOT SURFACE IGNITION

24 Volt Hot Surface Ignition Standard Capacity supplies up to 290K BTUs. 24 Volt Hot Surface Ignition High Capacity supplies up to 512K BTUs. Includes step down transformer for use with 24 Volt/110 Volt supply. Remote control options available.



P24VIKSCCG-NG P24VIKSCCG-LP	24 Volt Hot Surface Ignition System - Standard Capacity: Hot Surface Igniter + 50VA/24VAC Transformer + Maximum Gas Output 290K BTU/hr
P24VIKHCCG-NG P24VIKHCCG-LP	24 Volt Hot Surface Ignition System - High Capacity: Hot Surface Igniter + 50VA/24VAC Transformer + Maximum Gas Output 512K BTU/hr

Low voltage Premium Ignition available. Call a Warming Trends Flame Consultant to discuss the best ignition system for your CROSSFIRE Brass Burner.

TECH TIP Aluminum covers help protect electronic ignition systems from the elements. Available in standard and custom sizes. Custom and standard sizes available, page 46.

ELECTRONIC ADD-ONS



3 VOLT REMOTE

3VRC	ON/OFF Remote Control for 3 Volt Ignition System
------	--



24 VOLT KEY CHAIN REMOTE

KCRC	ON/OFF Wireless Key Chain Remote Control & Plug In Receiver for 24 Volt Ignition System
------	---



EMERGENCY STOP

EMERSTOP	Push Button Emergency Stop with yellow shell and weatherproof lift cover. Recommended for commercial properties.
----------	--



DIAL TIMERS

Available in 2 hour and 12 hour options for automatic shut off, with or without NEMA Rated outdoor enclosure.

DT2HR	2 Hour Dial Timer
DT2HRNB	2 Hour Dial Timer with NEMA Rated Enclosure
DT12HR	12 Hour Dial Timer
DT12HRNB	12 Hour Dial Timer with NEMA Rated Enclosure

TECH TIP Typically commercial projects require an Emergency Stop and electronic ignition. Consult your local code.

MEDIA

TECH TIP Easily calculate how much lava rock or fire glass will be needed with the Fire Glass calculator on our website.

LAVA ROCK



BLR

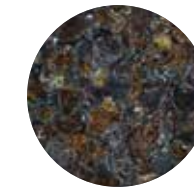
1" - 1 1/2" Black Lava Rock, 1 bag per 1 cubic foot



LRR

1" - 1" Gray/Black Rolled Lava, 1 bag per 1 cubic foot

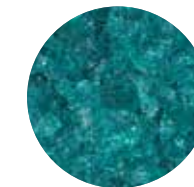
FIRE GLASS 3/4" Fire Glass. Colors may vary from photo.



CS AMBER 9
Dark Amber



PLUM 7
Plum



AQUA 2
Aqua



CS AMBER 4
Light Amber



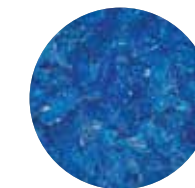
CO BLUE 5
Dark Blue



GRAY 5
Gray



BURNT ORANGE
Burnt Orange



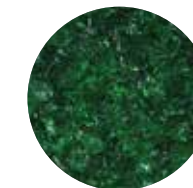
CO BLUE 3
Light Blue



BLACK
Black



CA RED
Red



CR GREEN 6
Dark Green



CLEAR
Clear



MN PURPLE 4
Purple



CR GREEN 4
Light Green



Additional Options Available Upon Request

CERAMIC LOG SETS



WESTERN OAK LOG SETS

Additional sizes available upon request.

WOS	Western Oak Log Set for 24" - 30" Fire Pit (8 Pieces)
WOM	Western Oak Log Set for 36" - 42" Fire Pit (12 Pieces)
WOL	Western Oak Log Set for 48" Fire Pit (15 Pieces)



MOUNTAIN SPLIT LOG SETS

Additional sizes available upon request.

MSS	Mountain Split Log Set for 24" - 30" Fire Pit (8 Pieces)
MSM	Mountain Split Log Set for 36" - 42" Fire Pit (12 Pieces)
MSL	Mountain Split Log Set for 48" Fire Pit (15 Pieces)



STEEL LOG SETS

Available for 18", 24", 30", and 36" Fire Pits.

SKU	DESCRIPTION	SHIP WEIGHT + DIMS
SLS18	Handcrafted to fit 18" Fire Pit	SHIPS FREIGHT
SLS24	Handcrafted to fit 24" Fire Pit	SHIPS FREIGHT
SLS30	Handcrafted to fit 30" Fire Pit	SHIPS FREIGHT
SLS36	Handcrafted to fit 36" Fire Pit	SHIPS FREIGHT
SLSCUST	Custom Handcrafted Steel Log Set	SHIPS FREIGHT



FIRESTORM™ STEEL LOG

Handcrafted, one-of-a-kind steel gas log with integrated burner

SKU	DESCRIPTION	SHIP WEIGHT + DIMS
FSL32LP	32" Steel log with integrated CFBL150 CROSSFIRE Brass Burner on a 38" x 10" aluminum plate for Liquid Propane	SHIPS FREIGHT
FSL32NG	32" Steel log with integrated CFBL150 CROSSFIRE Brass Burner on a 38" x 10" aluminum plate for Natural Gas	SHIPS FREIGHT

TECH TIP Custom Steel Log Sets and FireStorms are available. Give us a call at 877 556 5255

COVERS

Aluminum covers are available in standard fire pit sizes. More standard and custom sizes available.

CIRCULAR

SKU	DESCRIPTION	SHIP WEIGHT + DIMS	
FPC26C	26" Circular + 1 handle. For 24" opening.	13 lbs	27" x 27" x 7"
FPC32C	32" Circular + 1 handle. For 30" opening.	19 lbs	33" x 33" x 9"
FPC38C	38" Circular + 2 handles. For 36" opening.	23 lbs	39" x 39" x 7"
ALPLCUST	Covers customized to any shape or size	Call for Quote	

SQUARE

SKU	DESCRIPTION	SHIP WEIGHT + DIMS	
FPC26S	26" Square + 1 handle. For 24" opening.	16 lbs	29" x 29" x 7"
FPC32S	32" Square + 1 handle. For 30" opening.	23 lbs	37" x 37" x 9"
FPC38S	38" Square + 2 handles. For 36" opening.	SHIPS FREIGHT	
ALPLCUST	Covers customized to any shape or size	Call for Quote	

WARRANTY

FULL LIFETIME WARRANTY FOR WARMING TRENDS® BURNERS

WARMING TRENDS warrants that each WARMING TRENDS® Crossfire® and other jetted-flame-brass-burners (each as "Burner") is free from defects in materials and workmanship and conforms to its specifications, which are available upon request.

The warranty period for a Burner is lifetime warranty beginning on the date of purchase ("Warranty Period"). This Warranty is transferable, but we reserve the right to require proof of ownership for any transferred burners including proof that the Burner was not acquired through improper means or unauthorized re-sellers. During the Warranty Period, WARMING TRENDS provides repair and exchange services for the Burners, without charge. If a Burner does not function as warranted during the Warranty Period and, after a reasonable number of attempts, WARMING TRENDS is unable to either 1) make it do so or 2) replace it with one that is at least functionally equivalent, you may return it to WARMING TRENDS and your money will be refunded.

The warranty stated above will not apply to the extent that there has been misuse or use contrary to specifications or the appropriate user or operating manual, installation defect, accident, modification, unsuitable physical or operating environment, operation in other than the specified operating environment (e.g., outdoor burners should only be used outdoors) improper maintenance by you, or failure caused by a product for which WARMING TRENDS is not responsible. With respect to Burners, the warranty is voided by removal or alteration of any identification labels or marks on any Burner or part.

THESE WARRANTIES ARE YOUR EXCLUSIVE WARRANTIES AND REPLACE ALL OTHER WARRANTIES OR CONDITIONS, EXPRESS OR IMPLIED, INCLUDING, BUT NOT LIMITED TO, THE IMPLIED WARRANTIES OR CONDITIONS OF MERCHANTABILITY AND FITNESS FOR A PARTICULAR PURPOSE.

ITEMS NOT COVERED BY WARRANTY

Other than as expressly stated above, WARMING TRENDS does not warrant uninterrupted or error-free operation of any Burner or that WARMING TRENDS will correct all defects.

Warming Trends does not warranty any services related to our Burners, including installation, unless we provided those services to you. You may have warranty rights from the service provider, but we make no representations or warranties express or implied regarding any third party service provider.

This warranty also does not apply to any fire logs (including the FireStorm® Steel Log) or any of the electronics used in connection with our Burners, which may be covered by separate warranties with different terms.

YOUR RIGHTS UNDER STATE LAW

This Warranty gives you specific legal rights, and you may also have other rights which vary from state to state. You may find this information from the Federal Trade Commission helpful in understanding your rights, but we recommend you speak to your attorney regarding your specific situation and the laws in your state or jurisdiction. <https://www.consumer.ftc.gov/articles/0252-warranties>

IGNITION SYSTEMS WARRANTY ALL BURNERS AND ELECTRONICS MUST BE COVERED WHEN NOT IN USE OR WARRANTY IS NULL AND VOID

Push Button Ignition Systems: There is no warranty offered on any push button ignition system.

Electronic Ignition Systems

RESIDENTIAL INSTALLATIONS:

24VIK and 3VIK systems are fully warranted for one (1) year with a limited warranty for two (2) years from date of purchase. In the event a system must be replaced due to a defect/malfunction of the system, Warming Trends will repair or replace the system at no cost for the first year. In the event a system fails after the first year from date of purchase and within two years from date of purchase, Warming Trends will repair or replace the system for a cost of 50% of the current list price. This warranty does not cover labor costs.

P24VIK systems purchased ON OR BEFORE April 15, 2018 are fully warranted for one (1) year with a limited warranty for two (2) years from date of purchase. In the event a system must be replaced due to a defect/malfunction of the system, Warming Trends will repair or replace the system at no cost for the first year. In the event a system fails after the first year and within two years of date of purchase, the cost for a replacement system is at a discount rate of 50% of the current listed price. This warranty does not cover labor costs.

P24VIK Systems purchased AFTER April 15, 2018 are fully warranted for three (3) years from date of purchase. In the event a system must be replaced due to a defect/malfunction of the system, Warming Trends will repair or replace the system at no cost for the first three years. This warranty does not cover labor costs.

COMMERCIAL INSTALLATIONS:

24VIK and 3VIK systems are fully warranted for twelve months from date of purchase. In the event a system must be replaced due to a defect/malfunction of the system, Warming Trends will repair or replace the system at no cost. This warranty does not cover labor costs.

P24VIK Systems are fully warranted for one (1) year from date of purchase. In the event a system must be replaced due to a defect/malfunction of the system, Warming Trends will repair or replace the system at no cost for 12 months from the date of purchase. This warranty does not cover labor costs.

Problems in the functioning of the systems due to gas plumbing or electrical installed by others are not covered by any warranty offered by Warming Trends.

No dealer, distributor, or other person has the authority to represent or warrant a Warming Trends product beyond the terms contained within this warranty, and Warming Trends assumes no liability for such warranty representations. Any questions concerning this warranty should be directed to the Warming Trends corporate office.

RETURN POLICY OF WARRANTY PRODUCT

Any Warming Trends product deemed by Warming Trends as defective and covered by the warranty may be returned to Warming Trends for assessment to determine if repair or replacement is necessary. In order to return a product, you must have a Return Merchandise Authorization number (RMA#). Please contact Warming Trends at orders@warming-trends.com or 877-556-5255 to obtain an RMA#. All returned merchandise must have the RMA# clearly printed on the outside of the package. Return shipping costs are the purchaser's responsibility. Warming Trends is not responsible for product damaged or lost in transit. It is recommended that return items are shipped via a delivery service that can be tracked and/or insured to confirm receipt. Warming Trends Warranty V1.R1

Minimum Advertised Pricing Policy Effective January 1, 2017

Warming Trends Minimum Advertised Pricing Policy (MAP) is designed to protect our brand while also protecting our long-term brand building partners who sell our products.

MAP is the net price advertised for our products after any and all discounts, rebates, gifts, promotions, etc.

The MAP policy applies to all advertisements of Warming Trends products in any and all media, including, but not limited to, flyers, posters, coupons, mailers, inserts, newspapers, magazines, catalogs, mail order catalogs, email newsletters, email solicitations, Internet or similar electronic media, television, radio, and public signage.

Warming Trends MAP policy is that Resellers will not advertise any product at prices below the published MSRP. This policy does not include advertising a higher price.

If a Reseller or a Distributor violates this Policy, Warming Trends reserves the right to discontinue sales to that Reseller.

Please note that MAP can be adjusted with or without notice at the discretion of Warming Trends. It is the responsibility of the Reseller to keep informed of current MAP and policies related to MAP. Warming Trends Map Policy V1.R1

Don't settle for less.



Standard Ring Burner with 180K BTU's



CFB180 CROSSFIRE® Brass Burner with 180k BTU's



Twice the
Flame



Patented All Brass
Construction



Lifetime
Warranty



Made in
the US

WARMING  **TRENDS**®

www.Warming-Trends.com | 303 346 2224

Proud Members of

